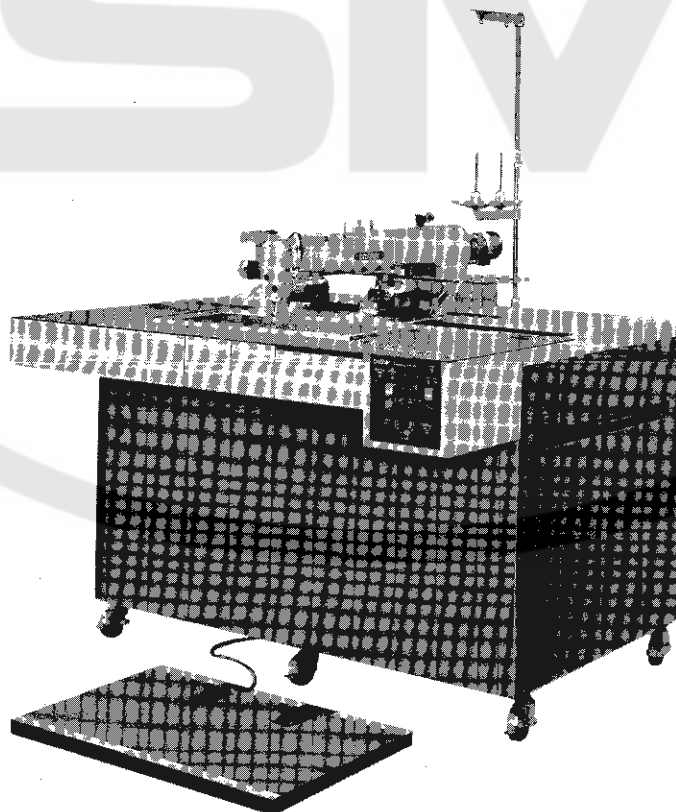


**PROGRAMMABLE ELECTRIC LOCK STITCH SEWING MACHINE PROFILE L
L-FÖRMIGE PROGRAMMIERBARE ELEKTRISCHE VERRIEGELUNGSSTICH-
NÄHMASCHINE**


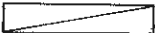
**MACHINE ELECTRIQUE A POINT NOUE PROGRAMMABLE PROFIL EN L
PERFIL L DE LA MAQUINA DE COSER DE DOBLE PESPUNTE ELECTRICA
PROGRAMABLE**

BAS-361

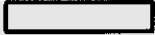
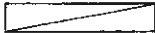
**PARTS BOOK
TEILEKATALOG
LIVRE DES PIECES
LIBRO DE REFERENCIA DE PIEZAS**




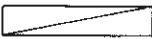
Notes for using this parts book

1. If the symbol  is found in the "Parts No." column or the "Assembly No." column, refer to the different parts list on page 20.
2. The symbol  in the "Parts No." column indicates that the parts is not available for supply. If, however, there is a number in the "Assembly No." column, the parts can be ordered as an assembly. Please, therefore, order by using the assembly number.
3. This book was prepared based on information available in March, 1983.
4. Parts are subject to changes in design without prior notice.


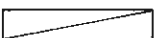
Anmerkungen zum Gebrauch dieses Stücklistebuches

1. Dieses Zeichen  in der Spalte "Parts No. (Teilnummer)" oder "Assembly No. (Gerätesatznummer)" verweist auf die Gesonderte Stückliste auf Seite 20.
2. Dieses Zeichen  in der Spalte "Teilnummer" bedeutet, daß dieser Teil nicht lieferbar ist. Wenn jedoch in der Spalte "Gerätesatznummer" eine Nummer steht, kann dieser Teil als ein Geräteteilsatz bestellt werden. Bestellen Sie daher bitte mit dieser Gerätesatznummer.
3. Dieses Buch basiert auf den Informationen vom März 1983.
4. Modelländerungen sind vorbehalten.

Notes sur l'utilisation de ce manuel de pièces détachées

1. Si le symbole  se trouve dans la colonne "Parts No. (N° de pièce)" ou dans la colonne "Assembly No. (N° jeu de pces)", veuillez vous référer à la liste de pièces annexe page 20.
2. Le symbole  dans la colonne "N° de pièce" signifie que la pièce ne peut être fournie. Si, dans la colonne "N° jeu de pces", il y a un numéro de nomenclature, la pièce peut être commandée comme faisant partie d'un jeu de pièces. Donc, pour toute commande, veuillez spécifier le n° du jeu de pièces.
3. Ce manuel a été fait d'après les renseignements valables au mois de Mars 1983.
4. Les pièces peuvent être sujettes à des modifications sans préavis.

Notas para usar este Libro de Piezas

1. De haber un símbolo  junto al "Parts No. (Número de Pieza)" o en la columna del "Assembly No. (Número de Juego)", habrá que mirar la lista de piezas separada de la página 20.
2. El símbolo , que se encuentra en la columna del "Número de Pieza", quiere decir que no se dispone de dicha pieza sola. Cuando, empero, hay un número en la columna del "Número de Juego", se podrá ordenar la pieza con todo el juego. Por lo tanto, será mejor hacer el pedido recurriendo al número del juego respectivo.
3. Este libro ha sido compilado basándose en los datos de que se disponía en marzo de 1983.
4. Las piezas quedan sujetas a cambios de diseño sin aviso previo.

CONTENTS

A. Machine body · threading and motor	1
B. Upper shaft · lower shaft and needle bar mechanism	2
C. Presser foot and presser lift mechanism (1)	3
C. Presser foot and needle plate mechanism (2)	4
D. Feed guide mechanism	5
E. Driving side mechanism (1)	6
E. Driving side mechanism (2)	7
F. Thread trimmer mechanism	8
G. Bobbin winder mechanism	9
H. Air pressure mechanism	10
J. Power supply equipment mechanism (1)	11
J. Power supply equipment mechanism (2)	12
K. Power table (1)	13
K. Power table (2)	14
K. Power table (3)	15
L. Foot switch plate mechanism	16
a. Programmer device	16
b. Optional parts	17
c. Optional parts (Auto eject mechanism)	18
Z. Accessories	19
DIFFERENT PARTS LIST	20
INDEX	21

INHALTSVERZEICHNIS

A. Maschine · Fadenführung und Motor	1
B. Obere und untere Welle und Nadelstangenmechanismus	2
C. Stoffdrückerfuß und Anhebemechanismus (1)	3
C. Stoffdrückerfuß und Stichplattenmechanismus (2)	4
D. Transporteurführungsmechanismus	5
E. Antriebsmechanismus (1)	6
E. Antriebsmechanismus (2)	7
F. Fadenabschneide vorrichtung	8
G. Spuler	9
H. Luftdruck	10
J. Stromversorgung (1)	11
J. Stromversorgung (2)	12
K. Motorgestell (1)	13
K. Motorgestell (2)	14
K. Motorgestell (3)	15
L. Pedal	16
a. Sonderzubehör	16
b. Sonderzubehör	17
c. Sonderzubehör (Automatische Auswurfvorrichtung)	18
Z. Zubehör	19
ZUBEHÖRLISTE	20
VERZEICHNIS	21

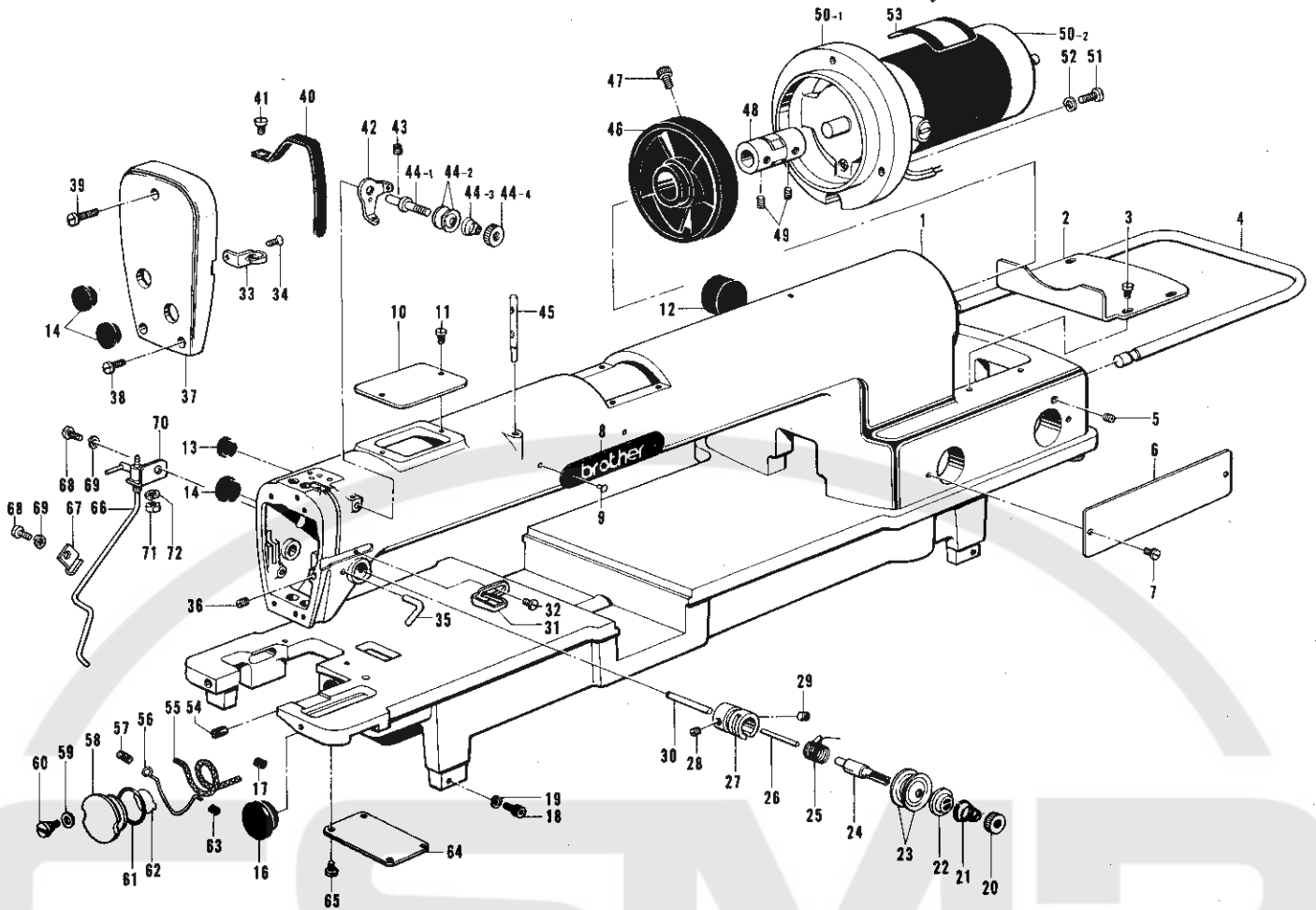
TABLE DES MATIERES

INDICE

A. Corps de la machine, enfilage et moteur	1
B. Mécanisme d'axe primaire, axe secondaire et barre à aiguille	2
C. Mécanisme de pied presseur et d'élevateur de presseur (1)	3
C. Mécanisme de pied presseur et de plaque à aiguille (2)	4
D. Mécanisme d'avance	5
E. Mécanisme d'avance transversale (1)	6
E. Mécanisme d'avance transversale (2)	7
F. Mécanisme de la coupe-fil	8
G. Mécanisme du bobineur	9
H. Mécanisme de la pression d'air	10
J. Mécanisme de l'équipement en alimentation électrique (1)	11
J. Mécanisme de l'équipement en alimentation électrique (2)	12
K. Mécanisme du plateau de la machine (1)	13
K. Mécanisme du plateau de la machine (2)	14
K. Mécanisme du plateau de la machine (3)	15
L. Mécanisme de la pédale	16
a. Pièces en option	16
b. Pièces en option	17
c. Pièces en option (Ejection automatique)	18
Z. Accessoires	19
LISTE DES PIÈCES ACCESSOIRES	20
INDEX	21

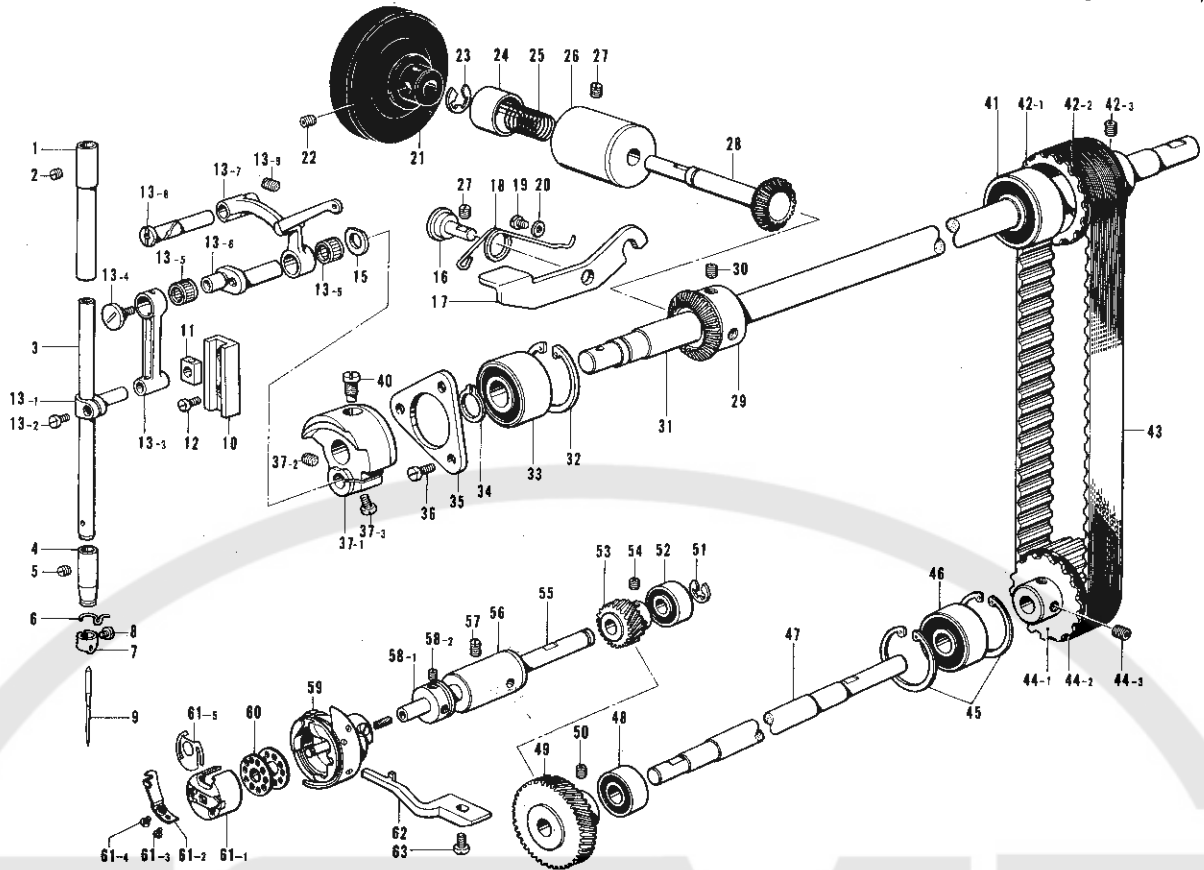
A. Cuerpo de la máquina, enhebrado y motor	1
B. Mecanismo de barra de aguja y eje inferior/eje superior	2
C. Mecanismo de prensatelas y levantador de prensatelas (1)	3
C. Mecanismo de placa de aguja y prensatelas (2)	4
D. Mecanismo de guía de alimentación	5
E. Mecanismo del lado de la impulsión (1)	6
E. Mecanismo del lado de la impulsión (2)	7
F. Mecanismo de la recortadora de orillos	8
G. Mecanismo del devanador de la canilla	9
H. Mecanismo de la presión de aire	10
J. Mecanismo de la equipo de alimentación de corriente (1)	11
J. Mecanismo de la equipo de alimentación de corriente (2)	12
K. Mecanismo del mesa de la máquina (1)	13
K. Mecanismo del mesa de la máquina (2)	14
K. Mecanismo del mesa de la máquina (3)	15
L. Mecanismo de la pedal	16
a. Piezas opción	16
b. Piezas opción	17
c. Piezas opción (Conjunto del expulsor automático)	18
Z. Accesorios	19
LISTA DE PIEZAS ACCESORIAS	20
INDICE	21

A. Machine body · threading and motor / Maschine · Fadenführung und Motor
 Corps de la machine, enfilage et moteur / Cuerpo de la máquina, enhebrado y motor



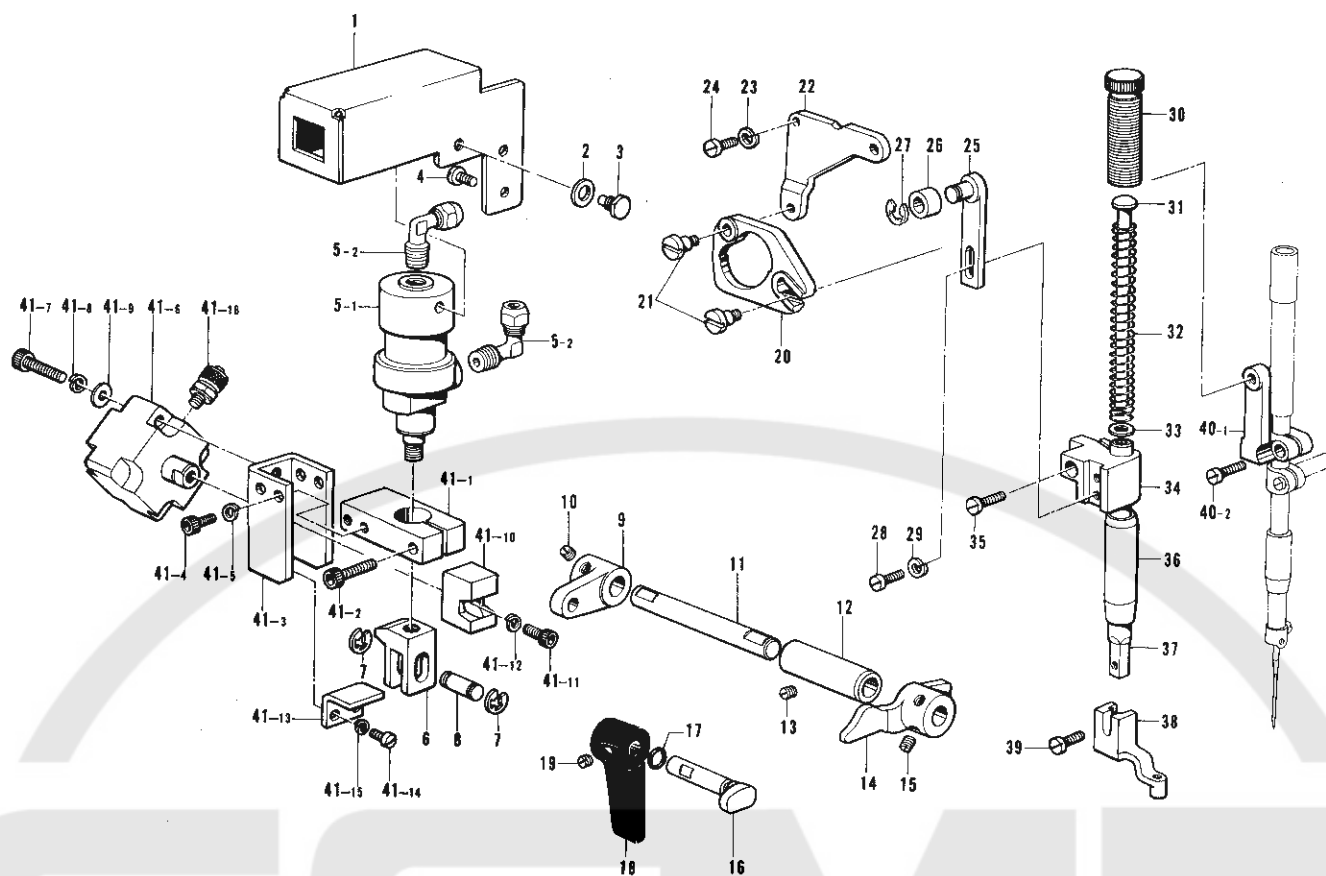
Ref. No.	Name of Parts	Q'ty	Parts No.	Assembly No.	Ref. No.	Name of Parts	Q'ty	Parts No.	Assembly No.
1	Arm Bed	1			39	Screw 3.57 x 18	1	009671-813	
2	Arm Rear Cover	1	157816-001		40	Thread Take-up Cover	1	147338-002	
3	Screw 4.37 x 8	4	009680-812		41	Screw 4.37 x 8	1	009680-812	
4	Y Axes Rail Cover	1	157812-001		42	Thread Guide	1	154563-001	
5	Screw 5.95	2	013761-410		43	Screw 4.37	1	151602-002	
6	Arm Side Cover	2	157815-001		44-1	Pre-Tension Stud	1	154559-001	A-44 Pre-Tension Assembly
7	Screw 4.37 x 8	4	009680-812		44-2	Thread Guide Disc	2	144504-001	
8	Name Plate	1			44-3	Spring	1		
9	Pin	2			44-4	Nut	1	155510-001	
10	Arm Top Cover	1	157813-001		45	Spool Pin	1	147557-001	
11	Screw 3.57 x 8	2	009670-812		46	Pulley	1	152389-001	
12	Oil Cap	1	151424-001		47	Bolt M5 x 12	2	018501-222	
13	Oil Cap	2	104450-001		48	Coupling Assembly	1	152593-000	
14	Oil Cap	3	104449-001		49	Screw 6.35 x 6	4	014770-622	
16	Oil Cap	1	157814-001		50	DD Motor Bracket Assembly	1	157857-000	
17	Oil Cap	1	142274-001		51	Screw 6.35 x 20	3	148351-001	
18	Bolt 5 x 30	4	018503-022		52	Washer 2-6.35	3	028770-242	
19	Washer 2-5	4	028050-242		53	Name Plate (DD Motor)	1	157266-001	
20	Tension Control Nut	1	100136-001		54	Felt 5 x 8	1	157838-000	
21	Spring	1			55	Wick 3 x 3	1	157840-000	
22	Presser for Tension Disc	1	159805-001		56	Wick Supporter	1	157839-001	
23	Tension Disc	2	145446-001		57	Felt 5 x 8	1	157838-000	
24	Tension Stud	1	100398-001		58	Oil Gauge Window	1	157844-000	
25	Thread Take-up Spring	1	145519-001		59	Washer	2	113431-002	
26	Tension Release Pin	1	146065-000		60	Screw 3.57	2	148633-001	
27	Tension Bracket	1	145250-001		61	"O" Ring P24	1	081024-070	
28	Screw 3.57	1	100402-004		62	Plate	1	157845-000	
29	Screw 5.95	1	103950-002		63	Oil Cap	1	157843-001	
30	Pin	1	145526-001		64	Lower Cover	1	157842-001	
31	Thread Retainer	1	147339-001		65	Screw 3.57 x 5	4	009670-512	
32	Screw 3.57 x 5	1	009670-512		66	Needle Cooler	1	S00953-001	
33	Face Plate Thread Guide	1	111476-001		67	Cooler Supporter Plate	1	S00954-001	
34	Screw	1	108960-002		68	Screw 4 x 8	2	007400-812	
35	Thread Guide	1	116112-001		69	Washer 2-4	2	028040-242	
36	Screw 4.76	1	153483-001		70	Pipe Supporter Plate	1	S00955-001	
37	Face Plate	1	157855-001		71	Nut 1-5	1	021500-103	
38	Screw 3.57 x 10	2	009671-013		72	Washer 5	1	028050-243	

B. Upper shaft · lower shaft and needle bar mechanism / Obere und untere Welle und Nadelstangenmechanismus
 Mécanisme d'axe primaire, axe secondaire et barre à aiguille / Mecanismo de barra de aguja y eje inferior/eje superior



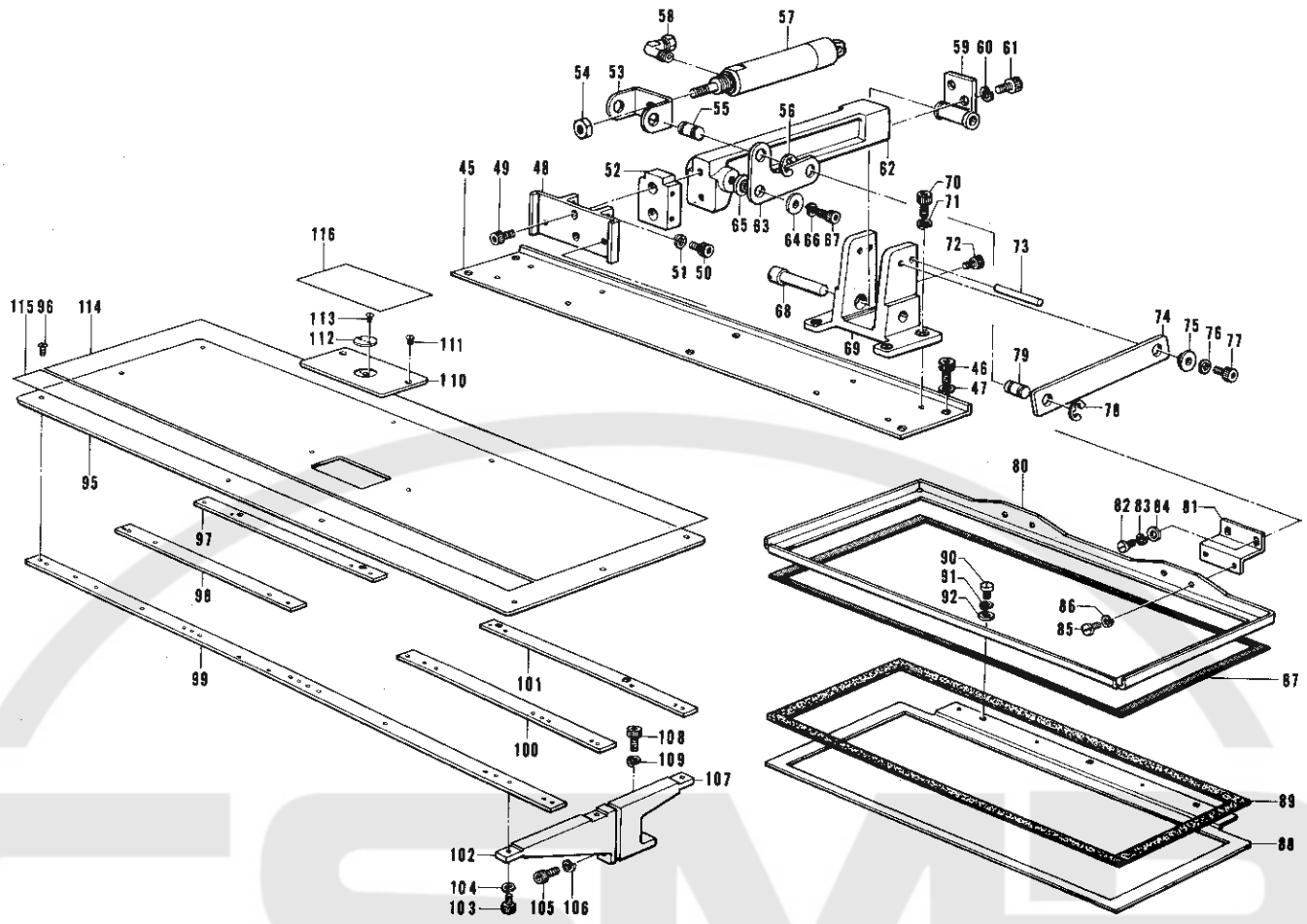
Ref. No.	Name of Parts	Q'ty	Parts No.	Assembly No.	Ref. No.	Name of Parts	Q'ty	Parts No.	Assembly No.
1	Needle Bar Bushing (Upper)	1	111463-001		34	Stop Ring C17	1	048170-142	
2	Screw 5.95	1	100260-001		35	Side Plate	1	157818-001	
3	Needle Bar	1	150433-001		36	Screw 4.37 x 8	3	009680-812	
4	Needle Bar Bushing (Down)	1	147326-001		37-1	Counter Weight	1		B-37 Counter Weight Assembly
5	Screw 5.95	1	100260-001		37-2	Screw 6.35	1	100251-001	
6	Thread Guide (Under)	1	100573-001		37-3	Screw 4.76 x 12	1	009711-212	
7	Thread Guide	1	151594-001		40	Screw 7.14	1	104464-001	
8	Screw 3.18	1	140553-102		41	Bearing 6204DDU	1	072620-440	
9	Needle	1			42-1	Side Ring	2		B-42 Timing Pulley Upper Assembly 157819-001
10	Needle Bar Guide	1	145688-000		42-2	Timing Pulley (Upper)	1		
11	Needle Bar Guide Slide Block	1	102630-001		42-3	Screw 6.35	2	100251-003	
12	Screw 3.57 x 5	2	009670-512		43	Timing Belt	1	112586-001	
13-1	Needle Bar Clamp	1		B-13 Take-up Lever Complete 147323-001	44-1	Timing Pulley (Lower)	1		B-44 Timing Pulley Lower Assembly 157847-001
13-2	Screw 3.57	1	140004-001		44-2	Side Ring	1		
13-3	Needle Bar Crank Rod	1			44-3	Screw 6.35	2	100251-003	
13-4	Screw 3.57L	1	145465-001		45	Stop Ring C37	2	048370-242	
13-5	Needle Roller Bearing	2	116735-000		46	Bearing 6001DDU	1	072600-140	
13-6	Needle Bar Crank	1			47	Lower Shaft	1	157849-100	
13-7	Thread Take-up Lever	1			48	Bearing 6301DDU	1	072630-140	
13-8	Stud	1			49	Gear	1	157850-001	
13-9	Screw 6.35 x 10	1	013781-012		50	Screw 6.35	3	014770-622	
15	Washer	1	110367-001		51	Stop Ring E-7	1	048070-342	
16	Stopper Shaft	1	157760-001	52	Bearing 608VV	1	072060-860		
17	Stopper	1	157829-001	53	Gear	1	157854-001		
18	Stopper Spring	1	157825-001	54	Screw 6.35	3	014770-622		
19	Screw 3.57 x 5	1	009670-512	55	Rotary Shaft	1	157851-001		
20	Washer 3.5	1	025350-332	56	Rotary Shaft Bushing	1	157852-001		
21	Pulley	1	157821-001	57	Screw 4.37 x 6	1	014680-622		
22	Screw 6.35	2	101706-001	58-1	Oil Rejector	1		B-58 Oil Rejector 144943-001	
23	Stop Ring E-9	1	048090-342	58-2	Screw 4.37	2	151602-002		
24	Cap	1	157826-001	59	Rotary Hook B1	1			
25	Spring	1	157828-001	60	Bobbin	1	117061-001		
26	Bushing	1	157824-000	61-1	Bobbin Case	1	S00981-001		
27	Screw 5.95	2	151604-001	61-2	Lower Thread Adjusting Spring	1	151844-001	B-61 Bobbin Case Assembly 151845-001	
28	Pulley Shaft Gear	1	157822-001	61-3	Spring Set Screw	1	181937-001		
29	Gear	1	157823-001	61-4	Spring Adjusting Screw	1	181938-001		
30	Screw 6.35	2	101706-001	61-5	Bobbin Case Adjusting Spring	1	181936-001		
31	Upper Shaft	1	157817-000	62	Bobbin Case Holder Position Bracket	1	147337-001		
32	Stop Ring C40	1	048400-242	63	Screw 4.37	1	107407-003		
33	Bearing 6203DDU	1	072620-340						

C. Presser foot and presser lift mechanism (1) / Stoffdrückerfuß und Anhebemechanismus (1)
 Mécanisme de pied presseur et d'éleveur de presseur (1) / Mecanismo de prensatelas y levantador de prensatelas (1)



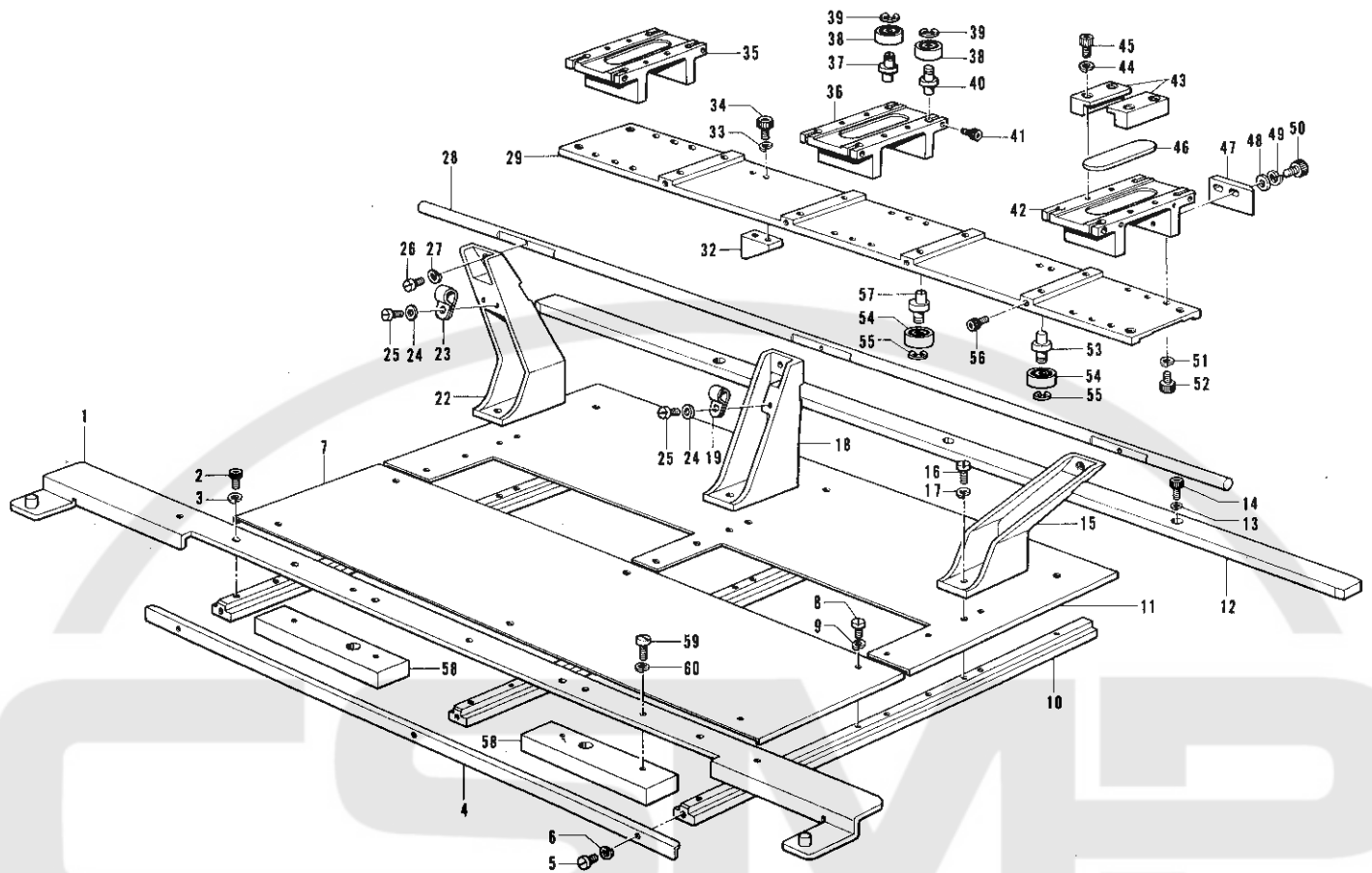
Ref. No.	Name of Parts	Q'ty	Parts No.	Assembly No.	Ref. No.	Name of Parts	Q'ty	Parts No.	Assembly No.
1	Cylinder Supporter	1	157837-001		28	Screw 4.37 x 10	2	009681-012	
2	Washer	2	109893-002		29	Washer 2-4.37	2	028680-242	
3	Screw	2	140620-001		30	Screw	1	141207-001	
4	Screw 4.76 x 10	2	009711-012		31	Presser Spring Bar	1	141208-001	
5-1	Cylinder	1		C-5 Presser Foot Lifter Cylinder Assembly 157836-001	32	Presser Spring	1	157706-001	
5-2	Elbow	2	149503-001		34	Presser Bar Bracket	1	154150-001	
6	Cylinder Joint	1	800945-001		35	Screw 4.37 x 12	1	009681-212	
7	Stop Ring E4	2	048040-342		36	Presser Bar Bushing	1	145472-001	
8	Pin	1	157834-001		37	Presser Bar	1	111466-001	
9	Presser Foot Lifter Lever (B)	1	157833-001		38	Presser Foot (A)	1	152283-101	
10	Screw 4.76	2	013710-512		39	Screw 3.57 x 10	1	001671-012	
11	Presser Foot Lifter Shaft	1	157831-001		40-1	Needle Clamp for Stepping Foot	1		C-40 Needle Clamp with Screw 183148-001
12	Presser Foot Lifter Bushing	1	157832-000		40-2	Screw 4.37 x 12	1	009681-212	
13	Screw 4.76	2	013710-512		41-1	Cylinder Setting	1	500940-001	C-41 Thin Type Cylinder Assembly S00965-001
14	Presser Foot Lifter Lever (C)	1	S00946-001		41-2	Bolt 4 x 6	1	018401-622	
15	Screw 4.76	2	013710-512		41-3	Cylinder Supporter Plate	1	S00941-001	
16	Presser Bar Lifter Crank	1	145483-001		41-4	Bolt 4 x 8	4	018400-822	
17	"O" Ring PW1	1	081001-670		41-5	Washer 2-4	4	028040-242	
18	Presser Bar Lifter	1	145482-001		41-6	Thin Type Cylinder 5	1	S00942-001	
19	Screw 4.76	1	013710-512		41-7	Bolt 4 x 25	2	018402-522	
20	Stepping Foot Driving Cam	1	154147-001	41-8	Washer 2-4	2	028040-242		
21	Screw	2	154149-001	41-9	Washer 4	2	025040-232		
22	Stepping Foot Driving Cam Bracket	1	154146-001	41-10	Elbow Hook	1	S00943-001		
23	Washer 2-4.37	2	028680-242	41-11	Bolt 5 x 10	1	018501-022		
24	Screw 4.37 x 10	2	009681-012	41-12	Washer 2-5	1	028050-242		
25	Roller Stud	1	155051-001	41-13	Hook Bracket	1	S00944-001		
26	Roller	1	155052-001	41-14	Screw 4 x 8	2	007400-812		
27	Stop Ring E-5	1	048050-342	41-15	Washer 2-4	2	028040-242		
				41-16	Nylon Hose Nipple	1	158660-000		

C. Presser foot and needle plate mechanism (2) / Stoffdrückerfuß und Stichplattenmechanismus (2)
 Mécanisme de pied presseur et de plaque à aiguille (2) / Mecanismo de placa de aguja y prensatelas (2)



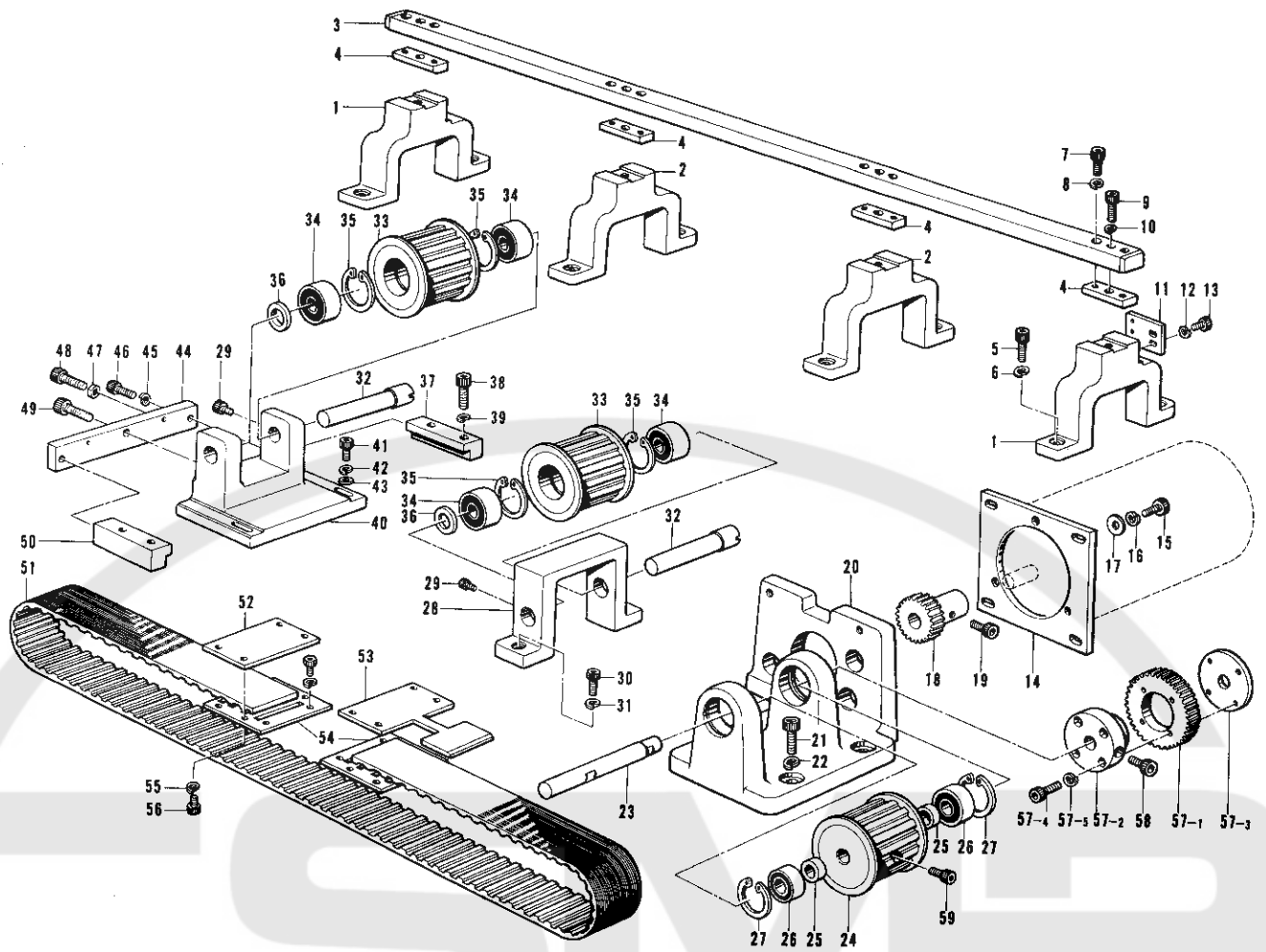
Ref. No.	Name of Parts	Q'ty	Parts No.	Assembly No.	Ref. No.	Name of Parts	Q'ty	Parts No.	Assembly No.
45	Presser Plate	1	157541-001		80	Front Presser	1	157557-001	
46	Bolt 4 x 8	6	018400-822		81	Rear Presser	2	157556-001	
47	Washer 2-4	6	028040-242		82	Screw 5 x 10	4	007501-003	
48	Presser Guide	2	157555-001		83	Washer 2-5	4	028050-243	
49	Bolt 6 x 10	4	018061-022		84	Washer 5	4	025050-233	
50	Bolt 5 x 10	8	018501-022		85	Screw 4 x 8	4	007400-813	
51	Washer 2-5	8	028050-242		86	Washer 2-4	4	028040-243	
52	Bracket	2	157554-001		87	Cushion	1	157712-000	
53	Cylinder Setting Plate	2	157553-001		88	Feed Plate	1	157558-001	
54	Nut 3-8	4	021080-302		89	Friction Plate	1	157711-000	
55	Stud	4	157552-001		90	Screw 4 x 6	4	007400-613	
56	Stop Ring E-7	8	048070-342		91	Washer 2-4	4	028040-243	
57	Presser Cylinder	2	157546-001		92	Washer 4	4	025040-233	
58	4-PT 1/8-BS Elbow	4	149503-001		95	Needle Plate (Large)	1	157533-000	
59	Hinge for Presser Arm	2	157543-001		96	Screw 4.37	12	100032-003	
60	Washer 2-8	4	028080-242		97	Feed Support Guide (B-R)	1	157529-001	
61	Bolt 8 x 16	4	018081-622		98	Feed Support Guide (B-L)	1	157530-001	
62	Presser Arm	2	157545-100		99	Feed Support Guide (A)	1	157528-001	
63	Lever (A)	4	157550-001		100	Feed Support Guide (C-L)	1	157532-001	
64	Washer 5	4	025050-332		101	Feed Support Guide (C-R)	1	157531-001	
65	Collar	4	157549-001		102	Feed Support Guide Bracket (A)	4	157527-001	
66	Washer 2-5	4	028050-242		103	Bolt 5 x 10	12	018501-022	
67	Bolt M5 x 12	4	018501-222		104	Washer 2-5	12	028050-242	
68	Hinger Stud	2	157544-001		105	Bolt 8 x 20	8	018082-022	
69	Hinge Holder	2	157542-001		106	Washer 2-8	8	028080-242	
70	Bolt 5 x 10	8	018501-022		107	Feed Support Guide Bracket (B)	4	157526-001	
71	Washer 2-5	8	028050-242		108	Bolt 8 x 20	8	018082-022	
72	Bolt 4 x 10	2	018401-022		109	Washer 2-8	8	028080-242	
73	Cylinder Supporter Shaft	2	157547-001		110	Needle Plate (Small) B Assembly	1	157536-001	
74	Lever (B)	4	157548-001		111	Screw 4.37	2	100032-003	
75	Collar	4	157549-001		112	Bottom Plate (A)	1	157538-001	
76	Washer 2-5	4	028050-242		113	Screw 2.38	2	100360-003	
77	Bolt M5 x 12	4	018501-222		114	Polyacetar Seat (Large)	1	S00957-000	
78	Stop Ring E-7	8	048070-342		115	Polyacetar Seat (Middle)	1	S00958-000	
79	Stud	4	157552-001		116	Polyacetar Seat (Small)	1	S00959-000	

D. Feed guide mechanism / Transporteurführungsmechanismus
 Mécanisme d'avance / Mecanismo de guía de alimentación



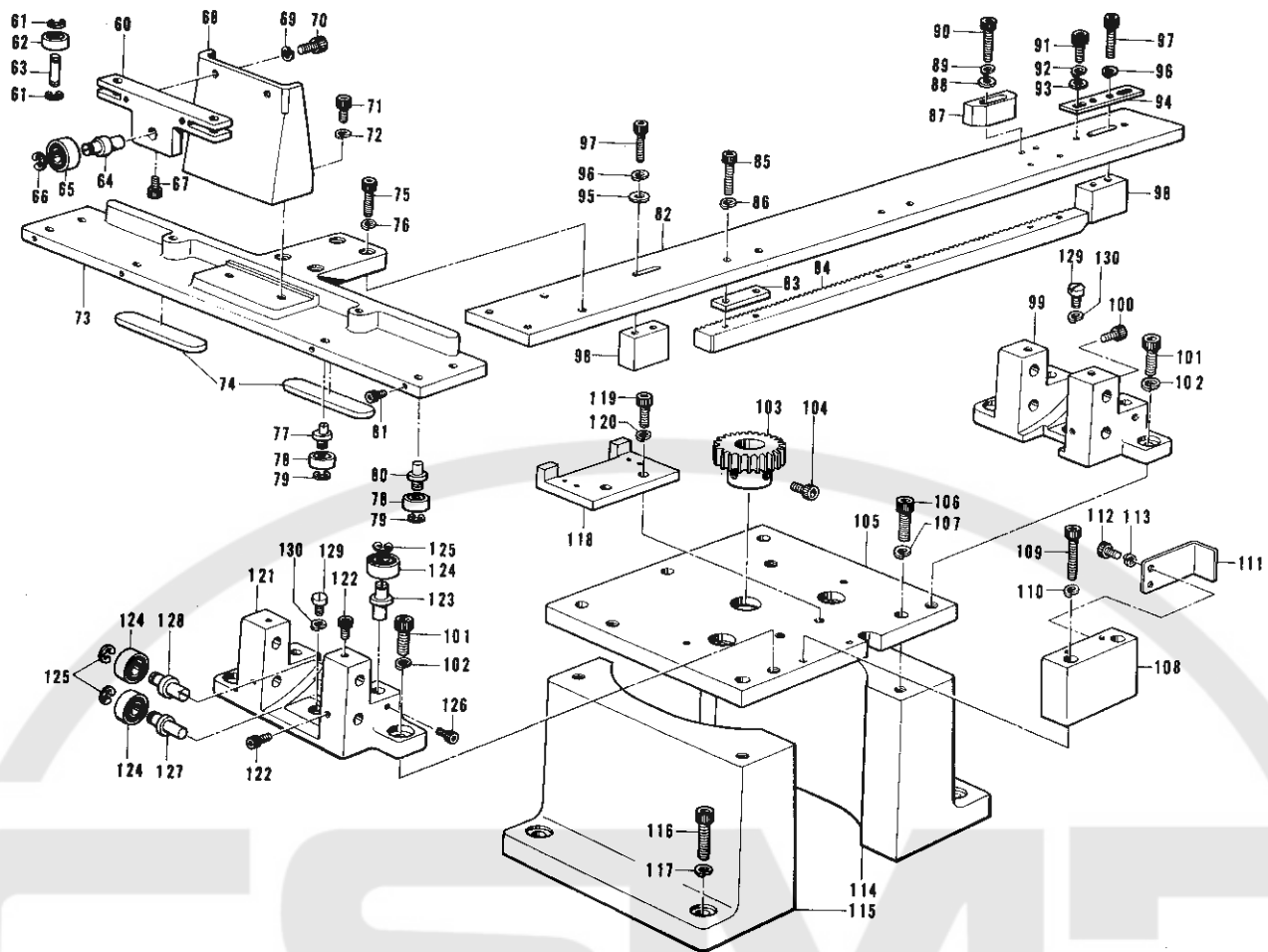
Ref. No.	Name of Parts	Q'ty	Parts No.	Assembly No.	Ref. No.	Name of Parts	Q'ty	Parts No.	Assembly No.
1	Front Plate	1	157628-001		33	Washer 2-4	4	028040-242	
2	Bolt 4 x 8	3	018400-822		34	Bolt 4 x 10	4	018401-022	
3	Washer 2-4	3	028040-242		35	Slider Upper (Right)	1	157609-001	
4	Slider Cover	1	157627-001		36	Slider Upper (Center)	1	157610-001	
5	Screw 4 x 6	3	007400-613		37	Roller Shaft (D. D)	10	157616-001	
6	Washer 2-4	3	028040-243		38	Bearing 625VV	12	072062-560	
7	Feed Guide Cover (Front)	1	157626-001		39	Stop Ring E-4	12	048040-342	
8	Screw 4 x 6	6	007400-613		40	Roller Shaft (C)	2	157603-001	
9	Washer 2-4	6	028040-243		41	Bolt 4 x 10	12	018401-022	
10	Feed Guide	3	157619-001		42	Slider Upper (Left)	1	157611-001	
11	Feed Guide Cover (Rear)	1	157620-001		43	Slider Presser	6	157613-001	
12	X-Feed Guide	1	157621-001		44	Washer 2-4	12	028040-242	
13	Washer 2-4	3	028040-242		45	Bolt 4 x 10	12	018401-022	
14	Bolt 4 x 12	3	018401-222		46	Slider Spacer	3	157612-000	
15	Support Guide Holder (Right)	1	157624-000		47	X-Position Dog	1	157615-001	
16	Screw 4 x 14	6	007401-413		48	Washer 4	2	025040-232	
17	Washer 2-4	6	028040-243		49	Washer 2-4	2	028040-242	
18	Support Guide Holder (Center)	1	157623-000		50	Bolt 4 x 12	2	018401-222	
19	Cord Holder #6	1	525664-000		51	Washer 2-4	18	028040-242	
22	Support Guide Holder (Left)	1	157622-000		52	Bolt 4 x 12	18	018401-222	
23	Nylon Clamp	2	149287-000		53	Roller Shaft (E)	2	157618-001	
24	Washer 4	3	025040-233		54	Bearing 625ZZ	8	072062-561	
25	Screw 4 x 10	3	007401-013		55	Stop Ring E-4	8	048040-342	
26	Screw 4 x 10	3	007401-013		56	Bolt 4 x 12	8	018401-222	
27	Washer 2-4	3	028040-243		57	Roller Shaft (F)	6	157617-001	
28	Guide Bar	1	157625-001		58	Front Plate (Under)	2	158593-000	
29	Slider	1	157608-001		59	Screw 4 x 10	4	007401-012	
32	X-E. S Dog	2	157614-001		60	Washer 2-4	4	028040-242	

E. Driving side mechanism (1) / Antriebsmechanism (1)
 Mécanisme d'avance transversale (1) / Mecanismo del lado de la impulsión (1)



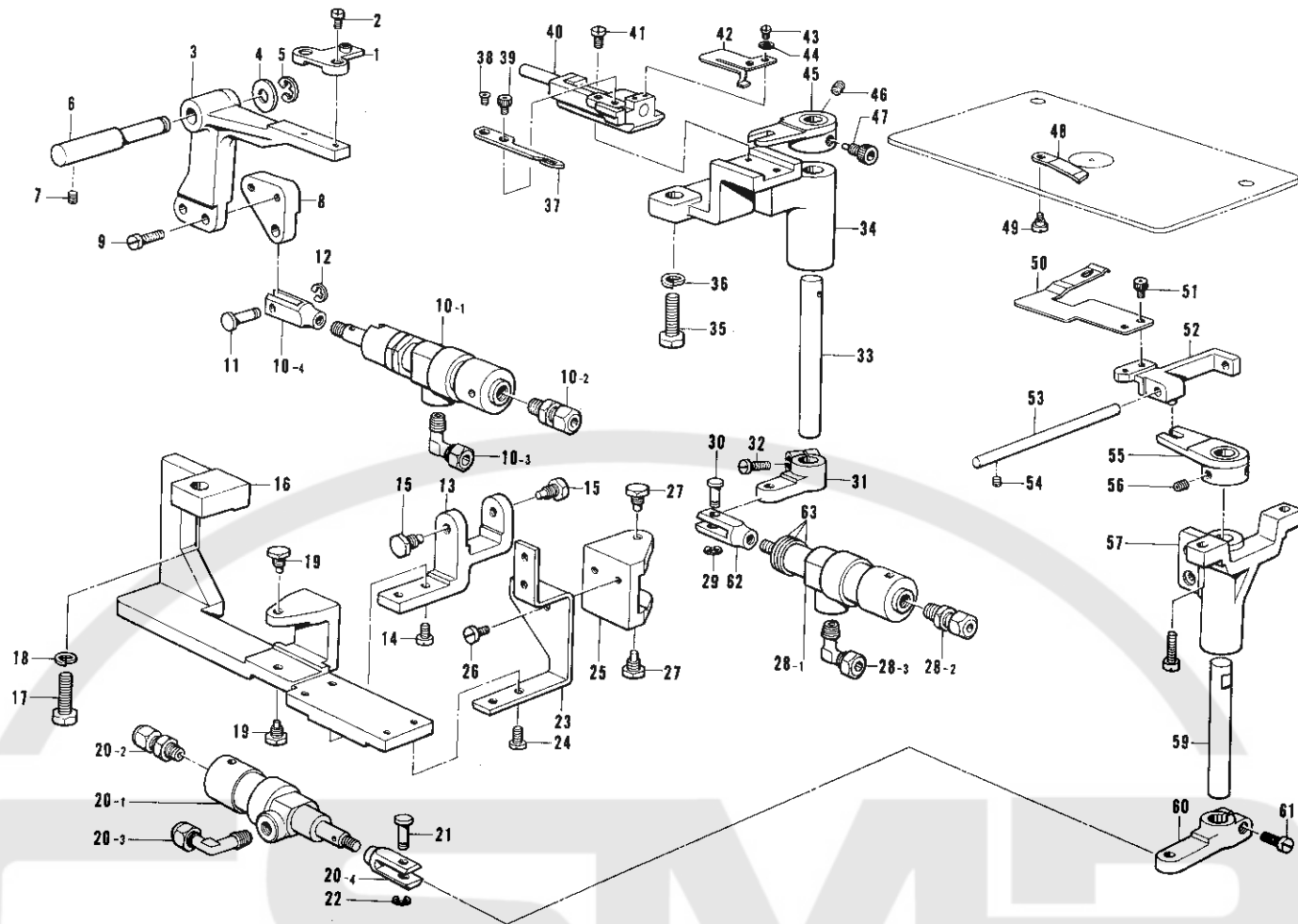
Ref. No.	Name of Parts	Q'ty	Parts No.	Assembly No.	Ref. No.	Name of Parts	Q'ty	Parts No.	Assembly No.
1	Bracket Guide Base (A)	2	157576-001		34	Bearing 6202VV	4	072620-260	
2	Bracket Guide Base (B)	2	157577-001		35	Stop Ring C35	4	048350-242	
3	Slider Guide	1	157578-001		36	Collar 15	2	157571-001	
4	X-Guide Spacer	4	157579-001		37	Bracket (B)	1	157565-001	
5	Bolt 8 x 20	8	018082-022		38	Bolt 6 x 25	4	018062-522	
6	Washer 2-5	8	028050-242		39	Washer 2-6	4	028060-242	
7	Bolt M5 x 12	8	018501-222		40	Bracket	1	157567-001	
9	Bolt 5 x 22	4	018502-222		41	Bolt 6 x 20	2	018062-022	
10	Washer 2-5	4	028050-242		42	Washer 2-6	2	028060-242	
11	X-E. S Limit Switch Base	2	157580-001		43	Washer 6	2	025060-132	
12	Washer 2-5	4	028050-242		44	Belt Adjusting Plate	1	157566-001	
13	Bolt 5 x 10	4	018501-022		45	Washer 2-6	2	028060-242	
14	Pulse Motor Supporter	1	S00948-001		46	Bolt 6 x 20	2	018062-022	
15	Bolt 6 x 16	4	018061-622		47	Nut 6	2	021060-102	
16	Washer 2-6	4	028060-242		48	Bolt 6 x 25	2	018062-522	
17	Washer 6	4	025060-232		49	Bolt 10 x 30	1	018103-022	
18	Gear X	1	S00950-000		50	Bracket (A)	1	157564-001	
19	Bolt 5 x 8	2	018500-822		51	Timing Belt	1	157572-000	
20	Bracket	1	S00947-001		52	Bracket for Belt (B)	1	157574-001	
21	Bolt 8 x 20	4	018082-022		53	Bracket for Belt (C)	1	157575-001	
22	Washer 2-8	4	028080-242		54	Bracket for Belt (A)	2	157573-001	
23	X-Shaft	1	S00949-001		55	Washer 2-5	8	028050-242	
24	Timing Pulley (B)	1	157562-001		56	Bolt 5 x 10	8	018501-022	
25	Collar	2	157561-001		57-1	Gear	1	157585-101	
26	Bearing 6202VV	2	072620-260		57-2	Gear Shaft	1	157586-101	
27	Stop Ring C35	2	048350-242		57-3	Gear Supporter Plate	1	158591-001	
28	Bracket (B)	1	157568-001		57-4	Bolt 5 x 16	4	018501-622	
29	Bolt 6 x 10	4	018061-022		57-5	Washer 2-5	4	028050-242	
30	Bolt 6 x 16	2	018061-622		58	Bolt 6 x 14	2	018061-422	
31	Washer 2-6	2	028060-242		59	Bolt 6 x 14	2	018061-422	
32	Pulley Shaft	2	157570-001		131	Bolt 6 x 10	4	018061-022	
33	Timing Pulley A	2	157569-001		132	Washer 2-6	4	028060-242	

E. Driving side mechanism (2) / Antriebsmechanismus (2)
 Mécanisme d'avance transversale (2) / Mecanismo del lado de la impulsión (2)



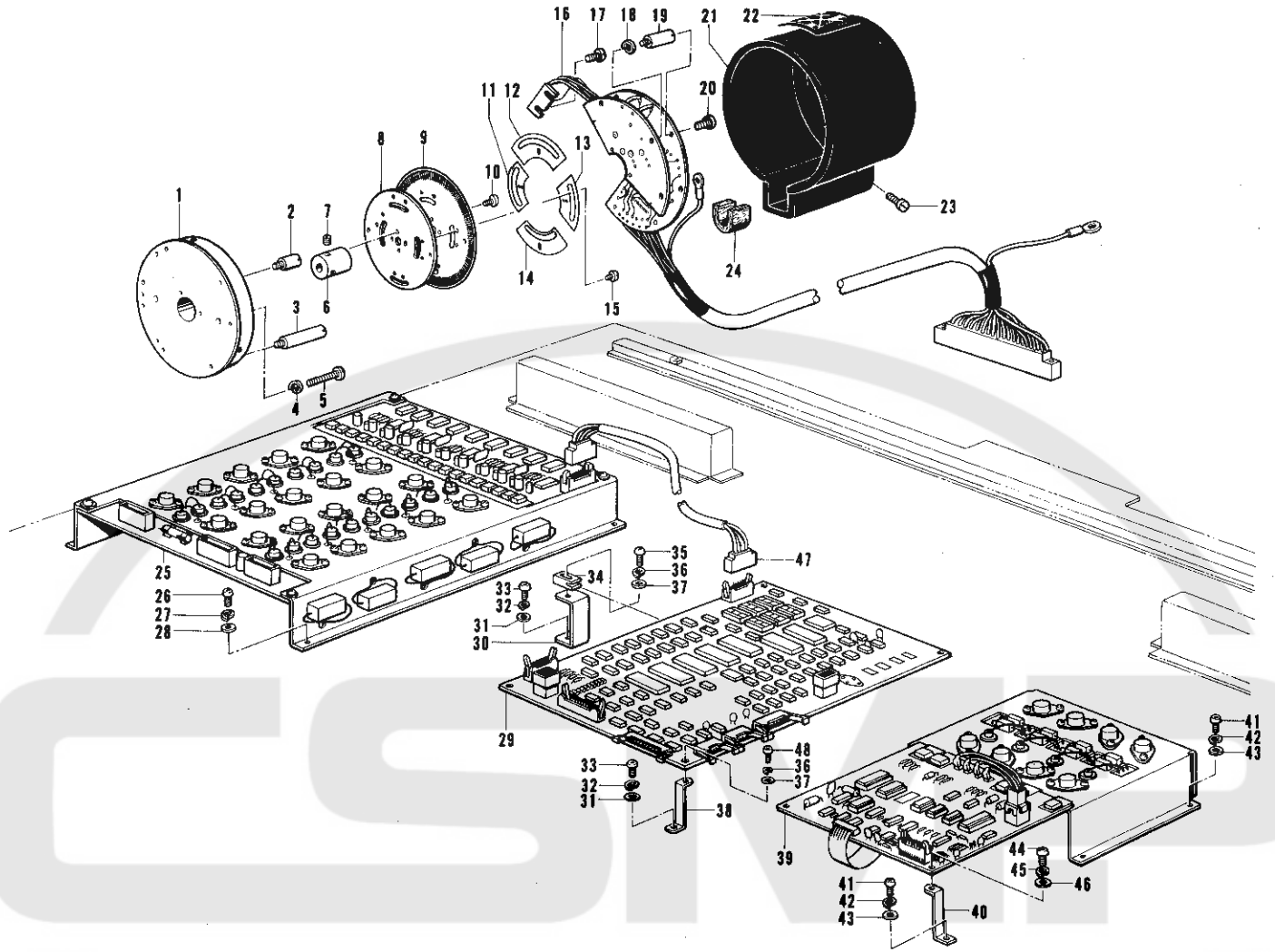
Ref. No.	Name of Parts	Q'ty	Parts No.	Assembly No.	Ref. No.	Name of Parts	Q'ty	Parts No.	Assembly No.
60	Roller Shaft Holder	1	157606-001		96	Washer 2-5	4	028050-242	
61	Stop Ring E-4	4	048040-342		97	Bolt 5 x 16	4	018501-622	
62	Bearing 625VV	2	072062-560		98	Y-E-S Dog	2	157599-001	
63	Roller Shaft (G)	2	157607-001		99	Rail Y Guide (Rear)	1	157588-001	
64	Roller Shaft (BB4)	1	157728-001		100	Bolt 4 x 25	1	018402-522	
65	Bearing 608VV	1	072060-860		101	Bolt 8 x 16	4	018081-622	
66	Stop Ring E-7	1	048070-342		102	Washer 2-8	4	028080-242	
67	Bolt 4 x 8	2	018400-822		103	Gear	1	S00952-001	
68	Roller Shaft Holder Support	1	157605-000		104	Bolt 5 x 8	2	018500-822	
69	Washer 2-5	2	028050-242		105	Bracket for Y-Pulse Motor	1	S00951-001	
70	Bolt M5 x 12	2	018501-222		106	Bolt 8 x 20	4	018082-022	
71	Bolt M5 x 12	2	018501-222		107	Washer 2-8	4	028080-242	
72	Washer 2-5	2	028050-242		108	Bracket for Y-Position Limit Switch	1	157593-001	
73	Guide Rail Holder (Front)	1	157601-000		109	Bolt 5 x 30	2	018503-022	
74	Spacer	2	157602-000		110	Washer 2-5	2	028050-242	
75	Bolt 5 x 16	4	018501-622		111	Cord Supporter	1	157594-001	
76	Washer 2-5	4	028050-242		112	Screw 4 x 8	2	007400-812	
77	Roller Shaft (D)	6	157604-001		113	Washer 2-4	2	028040-242	
78	Bearing 625VV	8	072062-560		114	Bracket Rear for Pulse Motor	1	157581-001	
79	Stop Ring E4	8	048040-342		115	Bracket Front for Pulse Motor	1	157582-001	
80	Roller Shaft (C)	2	157603-001		116	Bolt 8 x 25	4	018082-522	
81	Bolt 4 x 10	8	018401-022		117	Washer 2-8	4	028080-242	
82	Y-Rail	1	157595-001		118	Y-E-S Limit Switch Base	1	157592-001	
83	Rack Spacer	3	157596-001		119	Bolt 6 x 14	2	018061-422	
84	Rack	1	157597-000		120	Washer 2-6	2	028060-242	
85	Bolt 5 x 22	6	018502-222		121	Rail Guide (Front)	1	157587-001	
86	Washer 2-5	6	028050-242		122	Bolt 4 x 10	9	018401-022	
87	Y-Position Dog	1	157600-001		123	Roller Shaft (BB)	4	157591-001	
88	Washer 4	2	025040-232		124	Bearing 608VV	12	072060-860	
89	Washer 2-4	2	028040-242		125	Stop Ring E-7	12	048070-342	
90	Bolt 4 x 25	2	018402-522		126	Bolt 4 x 8	1	018400-822	
91	Bolt 5 x 10	2	018501-022		127	Roller Shaft (A)	4	157589-001	
92	Washer 2-5	2	028050-242		128	Roller Shaft (B)	4	157590-001	
93	Washer 5	2	025050-132		129	Screw 4 x 8	2	007400-812	
94	Y-E-S Dog Plate	1	157598-001		130	Washer 2-4	2	028040-242	
95	Washer 5	2	025050-232						

F. Thread trimmer mechanism / Fadenabschneide vorrichtung
 Mécanisme de la coupe-fil / Mecanismo de la recortadora de orillos



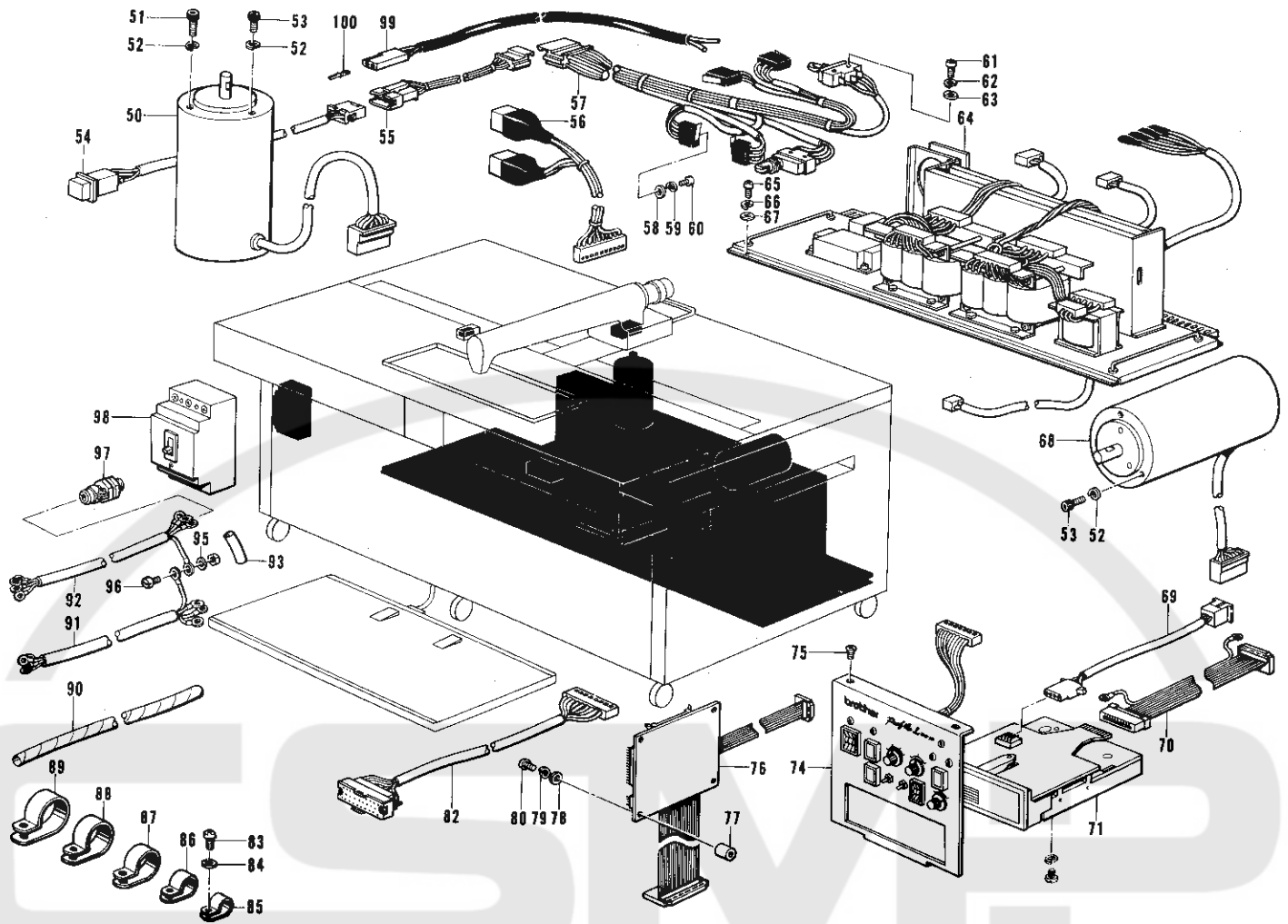
Ref. No.	Name of Parts	Q'ty	Parts No.	Assembly No.	Ref. No.	Name of Parts	Q'ty	Parts No.	Assembly No.
1	Bottom Plunger (B)	1			29	Stop Ring E-4	1	048040-342	
2	Screw 3.18	2	100080-003		30	Pin	1	146153-001	
3	Bottom Lever	1	157793-001		31	Knife Lever	1	157778-001	
4	Washer	1	153113-001		32	Screw 4.76 x 14	1	009711-412	
5	Stop Ring E-6	1	048060-342		33	Knife Rock Arm Shaft	1	148573-001	
6	Bottom Lever Shaft	1	157792-001		34	Movable Knife Base Bracket (L)	1	155087-001	
7	Screw 4.37 x 6	1	014680-622		35	Bolt 7.94 x 22	2	017822-212	
8	Bottom Lever Plate	1	157797-001		36	Washer 2-8	2	028080-242	
9	Screw 4.76 x 14	2	009711-412		37	Movable Knife	1	157781-001	
10-1	Cylinder	1		F-10	38	Screw 4.37	1	148537-001	
10-2	4-PT 1/8 Connector	1	149435-000	Bottom Cylinder	39	Screw 4.37	1	148536-001	
10-3	4-PT 1/8-BS Elbow	1	149503-001	Assembly	40	Movable Knife Base Assembly (L)	1	155088-001	
10-4	Piston Rod Joint	1	140627-001	4-PT 1/8-BS	41	Screw 4.76 x 8	2	009710-812	
11	Pin	1	146153-001	157805-001	42	Thread Presser Plate	1	148593-000	
12	Stop Ring E-4	1	048040-342		43	Screw 2.38 x 3.5	2	001639-312	
13	Bottom Cylinder Base	1	157804-001		44	Washer 2.38	2	025630-132	
14	Screw 4.76 x 8	2	009710-812		45	Knife Rock Arm (A)	1	157777-001	
15	Screw	2	140620-001		46	Screw 6.35	1	148574-001	
16	Cylinder Base	1	157798-001		47	Screw 6.35 x 6	1	014770-622	
17	Bolt 7.94 x 22	1	017822-212		48	Fixed Knife	1	157782-001	
18	Washer 2-8	1	028080-242		49	Screw 2.38	1	148539-001	
19	Screw	2	140620-001		50	Thread Catcher Spring (B)	1	157791-000	
20-1	Cylinder	1		F-20	51	Screw 4.37	2	148536-001	
20-2	4-PT 1/8 Connector	1	149435-000	Thread Catcher	52	Movable Knife Base (B)	1	157789-001	
20-3	4-PT 1/8-BS Elbow	1	149503-001	Assembly	53	Slide Shaft (B)	1	157784-001	
20-4	Piston Rod Joint	1	140627-001	157799-001	54	Screw 4.37 x 6	1	014680-622	
21	Pin	1	146153-001		55	Knife Rock Arm (B)	1	157786-001	
22	Stop Ring E-4	1	048040-342		56	Screw 6.35 x 6	2	014770-622	
23	Cylinder Holder	1	157801-001		57	Thread Catcher Base	1	157785-001	
24	Screw 4.76 x 8	4	009710-812		58	Screw 4.37 x 16	2	009681-612	
25	Cylinder Base	1	157802-001		59	Knife Rock Arm Shaft (B)	1	157787-001	
26	Screw 4.76 x 8	2	009710-812		60	Thread Catcher Lever	1	157788-001	
27	Screw	2	140620-001		61	Screw 4.76 x 14	1	009711-412	
28-1	Cylinder	1		F-28 Thread	62	Piston Rod Joint	1	140627-001	
28-2	4-PT 1/8 Connector	1	149435-000	Trimming Cylind-	63	Washer	3	107153-002	
28-3	4-PT 1/8-BS Elbow	1	149503-001	er Assembly(L)					
				155093-001					

J. Power supply equipment mechanism (1) / Stromversorgung (1)
 Mécanisme de l'équipement en alimentation électrique (1) / Mecanismo de la equipo de alimentación de corriente (1)



Ref. No.	Name of Parts	Q'ty	Parts No.	Assembly No.	Ref. No.	Name of Parts	Q'ty	Parts No.	Assembly No.
1	Encorder Setting Base	1	152487-201		25	PMD P.C Board Assembly	1	152461-001	
2	Set Shaft (B)	5	152497-001		26	Screw 4 x 10	4	002401-003	
3	Set Shaft (C)	2	152498-001		27	Washer 2-4	4	028040-243	
4	Washer 2-4	2	028040-243		28	Washer 4	4	025040-233	
5	Screw 4 x 20	2	007402-013		29	Control Circuit Board	1	157915-000	
6	Encorder Shaft	1	152488-001		30	Circuit Board Supporter (2)	2	152453-001	
7	Screw 4 x 5	2	014400-522		31	Washer 4	6	025040-233	
8	Encorder Setting Plate	1	157736-001		32	Washer 2-4	6	028040-243	
9	Encorder Slit	1	157737-001		33	Screw 4 x 10	6	002401-003	
10	Screw 3 x 6	4	002300-603		34	Fixing Plate	2	152454-100	
11	Mask (D)-L	1	157738-000		35	Screw 3 x 12	2	002301-203	
12	Mask (B)-2	1	157513-000		36	Washer 2-3	6	028030-243	
13	Mask (C)	1	152493-000		37	Washer 3	6	025030-233	
14	Mask (A)	1	152491-000		38	Circuit Board Supporter (1)	4	152452-001	
15	Screw 2.6 x 3	10	007260-313		39	DD Circuit Board	1	157756-000	
16	Encorder Assembly	1	152480-000		40	Circuit Board Supporter (1)	2	152452-001	
17	Screw 3 x 8	2	002300-803		41	Screw 4 x 10	6	002401-003	
18	Washer 2-3	3	028030-243		42	Washer 2-4	6	028040-243	
19	Set Shaft (A)	3	152496-001		43	Washer 4	6	025040-233	
20	Screw 3 x 8	7	002300-803		44	Screw 3 x 8	2	002300-803	
21	Encorder Cover	1	152513-101		45	Washer 2-3	2	028030-243	
22	Label	1	154021-001		46	Washer 3	2	025030-233	
23	Screw 4 x 10	3	007401-012		47	Clock Harness L Assembly	1	157901-000	
24	Felt	1	152516-100		48	Screw 3 x 8	4	002300-803	

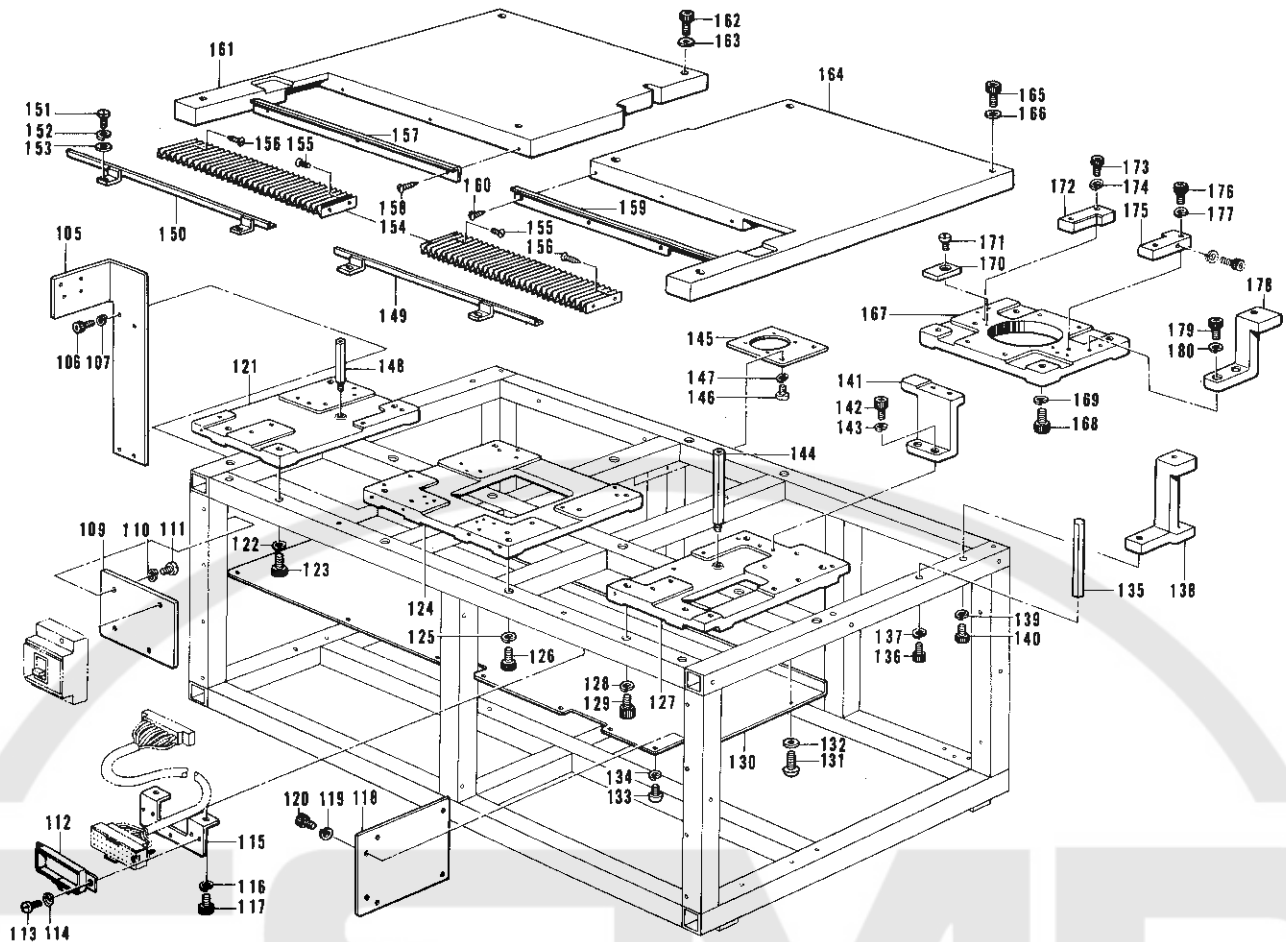
J. Power supply equipment mechanism (2) / Stromversorgung (2)
 Mécanisme de l'équipement en alimentation électrique (2) / Mecanismo de la equipo de alimentación de corriente (2)



Ref. No.	Name of Parts	Q'ty	Parts No.	Assembly No.	Ref. No.	Name of Parts	Q'ty	Parts No.	Assembly No.
50	Pulse Motor Assembly (Y)	1	157740-000		76	Connecting Board Assembly	1	157903-000	
51	Bolt 8 x 20	1	018082-022		77	Spacer (A)	4	152544-000	
52	Washer 2-8	6	028080-242		78	Washer 3	3	025030-233	
53	Bolt 8 x 16	5	018081-622		79	Washer 2-3	4	028030-243	
54	Emergency Stop Assembly	1	157890-000		80	Screw 3 x 16	4	002301-605	
55	Emergency Stop Harness Assembly	1	157893-000		82	Programmer Harness Assembly	1	157750-000	
56	Air Connection	1	157895-000		83	Screw 4 x 10	27	002401-003	
57	Micro Switch Assembly	1	157879-000		84	Washer 4	27	025040-233	
58	Washer 2	8	025020-235		85	Cord Holder #5	4	149547-000	
59	Washer 2-2	8	028020-243		86	Cord Holder #6	5	525664-000	
60	Screw 2 x 10	8	001021-016		87	Cord Holder #9	5	525907-000	
61	Screw 4 x 25	4	002402-512		88	Cord Holder #12	9	554482-000	
62	Washer 2-4	4	028040-242		89	Cord Holder #14	6	552908-000	
63	Washer 4	4	025040-232		90	Spiral Tube (B)	1	152504-000	
64	Power Supply Equipment Assembly (B)	1	157734-000		91	Cable Assembly (A)	1	154135-001	
65	Screw 4 x 10	6	002401-003		92	Cable Assembly (B)	1	154136-001	
66	Washer 2-4	6	028040-243		93	Tube	1	154138-000	
67	Washer 4	6	025040-233		95	Washer 2-4	1	028040-243	
68	Pulse Motor Assembly (X)	1	157739-000		96	Screw 4 x 8	1	007400-813	
69	Floppy Harness (B)	1	157885-000		97	Cord Bushing	1	152510-000	
70	Floppy Harness (A)	1	157881-000		98	Fuse Breaker (B)	1	152661-000	
71	Floppy Drive	1	157024-001		99	Bobbin Winder Harness	1	S00978-000	
74	Switch Panel Assembly (B)	1	S00972-001		100	Female Terminal	2	143548-000	
75	Screw 4 x 7	4	004400-702						

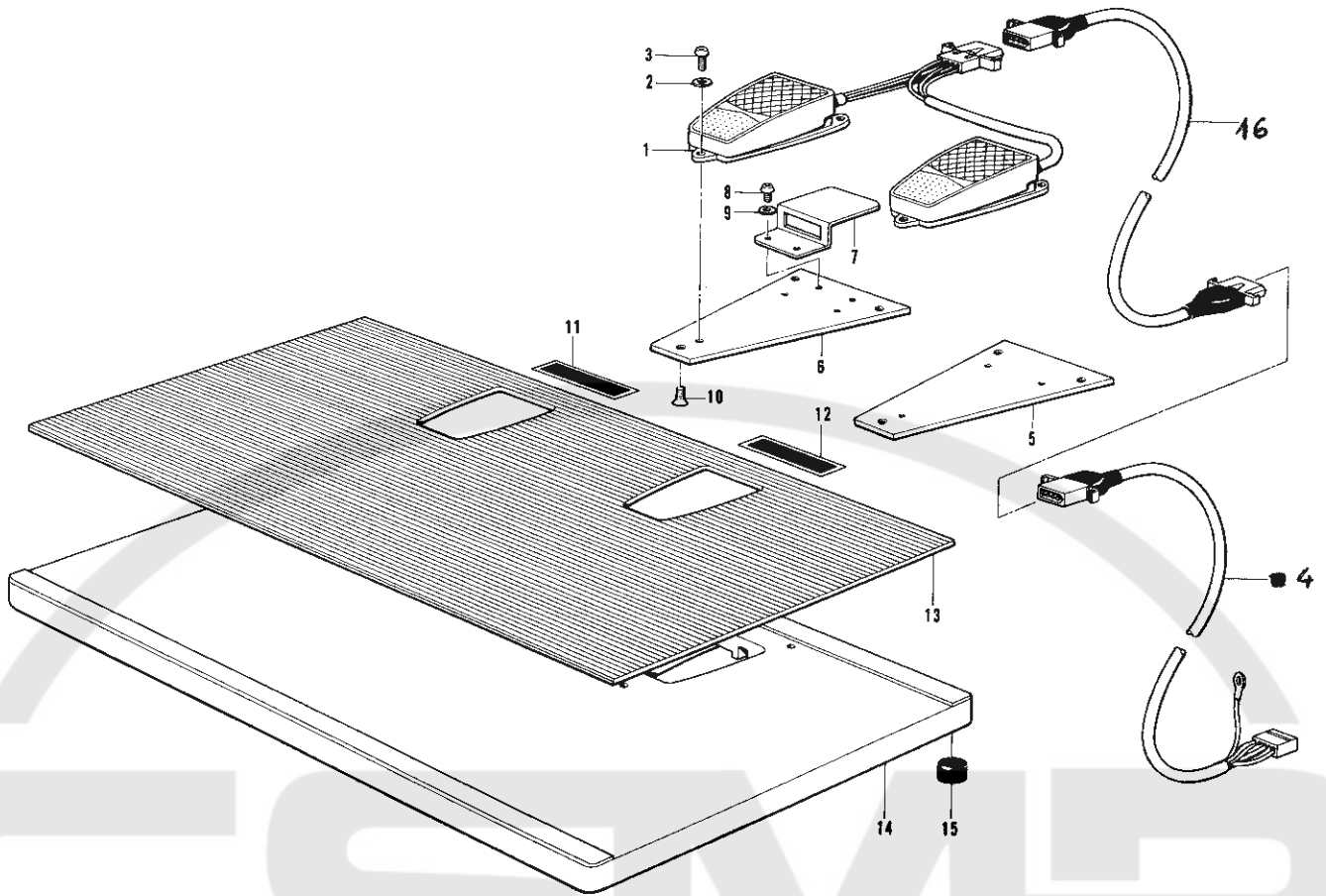
K. Power table (3) / Motorgestell (3)

Mécanisme du plateau de la machine (3) / Mecanismo del mesa de la máquina (3)



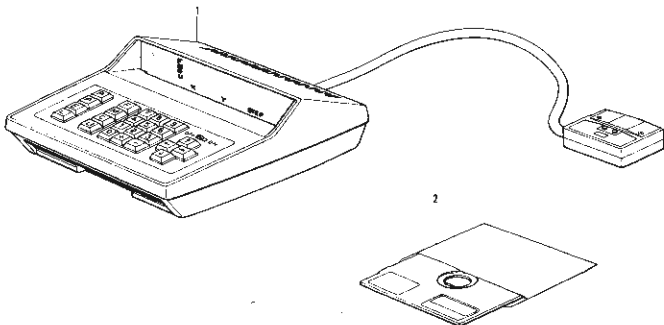
Ref. No.	Name of Parts	Q'ty	Parts No.	Assembly No.	Ref. No.	Name of Parts	Q'ty	Parts No.	Assembly No.
105	Unit Setting Plate (A)	1	157642-101		144	Table Supporting Bar (A)	5	157661-001	
106	Bolt 4 x 8	2	018400-822		145	Plate	1	157651-001	
107	Washer 2-4	2	028040-242		146	Screw 4 x 8	2	007400-812	
109	Switch Setting Plate (B)	1	157644-001		147	Washer 2-4	2	028040-242	
110	Washer 2-4	2	028040-242		148	Bellow Supporting Bar	4	157658-001	
111	Screw 4 x 10	2	007401-012		149	Bellow Plate Right (A)	1	157659-001	
112	Connector Setting Plate (B)	1	157657-001		150	Bellow Plate Left (A)	1	157660-001	
113	Screw 3 x 8	3	007300-803		151	Screw 4 x 8	4	007400-812	
114	Washer 2-3	3	028030-243		152	Washer 2-4	4	028040-242	
115	Connector Setting Plate (A)	1	157656-001		153	Washer 4	4	025040-232	
116	Washer 2-4	2	028040-242		154	Bellow	2	157699-101	
117	Bolt 4 x 8	2	018400-822		155	Screw 3 x 8	4	003300-812	
118	Plate	1	157645-001		156	Screw 3.1 x 13	4	033311-302	
119	Washer 2-4	2	028040-242		157	Bellow Plate (Left)	1	157695-001	
120	Bolt 4 x 8	2	018400-822		158	Screw 3.1 x 13	3	031311-302	
121	Bracket (A)	1	157646-001		159	Bellow Plate (Right)	1	157698-001	
122	Washer 2-10	4	028100-242		160	Screw 3.1 x 13	3	031311-302	
123	Bolt 10 x 20	4	018102-022		161	Table (Left)	1	157694-001	
124	Bracket (B)	1	157647-001		162	Bolt 4 x 25	4	018402-522	
125	Washer 2-10	4	028100-242		163	Washer 4	4	025040-232	
126	Bolt 10 x 20	4	018102-022		164	Table (Right)	1	S00956-000	
127	Bracket (C)	1	157648-001		165	Bolt 4 x 25	4	018402-522	
128	Washer 2-10	4	028100-242		166	Washer 4	4	025040-232	
129	Bolt 10 x 20	4	018102-022		167	Table Supporting Bar (D)	1	157649-001	
130	Cover	1	157650-000		168	Bolt 10 x 20	4	018102-022	
131	Screw 4 x 10	1	002401-003		169	Washer 2-10	4	028100-242	
132	Washer 4	1	025040-233		170	Spacer	4	157654-001	
133	Screw 4 x 5	11	002400-502		171	Screw 4 x 8	4	007400-812	
134	Washer 2-4	11	028040-242		172	Hinge (L)	2	157653-001	
135	Table Supporting Bar (B)	2	157662-001		173	Bolt 6 x 25	4	018062-522	
136	Bolt 6 x 10	2	018061-022		174	Washer 2-6	4	028060-242	
137	Washer 2-6	2	028060-242		175	Hinge (R)	2	157652-001	
138	Table Supporting Bar (D)	2	157664-001		176	Bolt 6 x 25	4	018062-522	
139	Washer 2-6	4	028060-242		177	Washer 2-6	4	028060-242	
140	Bolt 6 x 10	4	018061-022		178	Bracket (C)	2	157663-001	
141	X-Position Limit Supporter	1	157655-001		179	Bolt 6 x 20	4	018062-022	
142	Bolt 6 x 16	2	018061-622		180	Washer 2-6	4	028060-242	
143	Washer 2-6	2	028060-242						

L. Foot switch plate mechanism / Pedal
 Mécanisme de la pédale / Mecanismo de la pedal



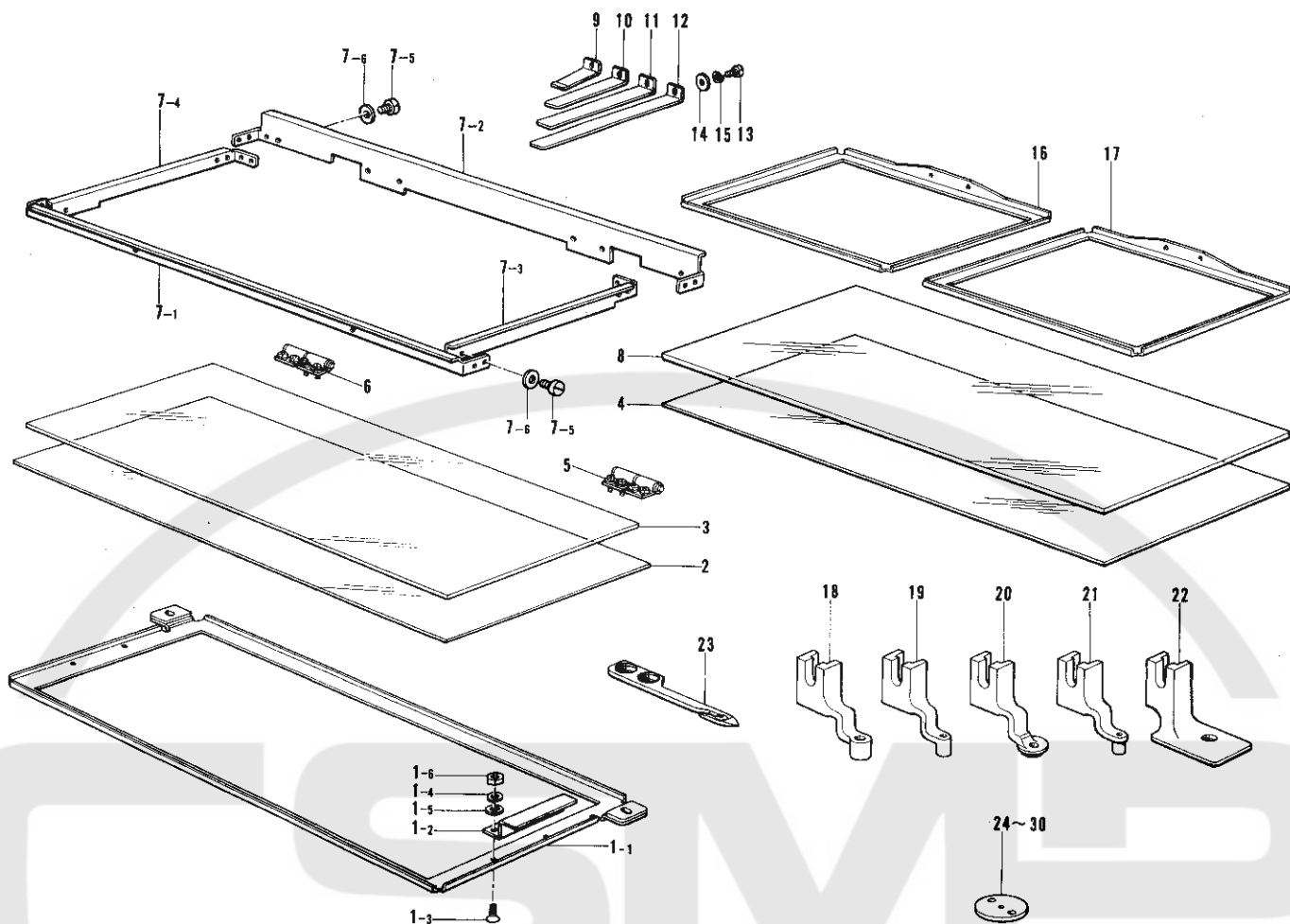
Ref. No.	Name of Parts	Q'ty	Parts No.	Assembly No.	Ref. No.	Name of Parts	Q'ty	Parts No.	Assembly No.
1	Foot Switch Assembly	1	157741-001		9	Washer 4	2	025040-232	
2	Washer 4	6	025040-233		10	Bolt M6 x 15	6	149482-001	
3	Screw 4 x 8	6	002400-803		11	Label	1		
4	Harness Assembly	1	157743-000		12	Label	1		
5	Foot Switch Setting Plate (R)	1	151809-001		13	Treadle Cover	1	151804-001	
6	Foot Switch Setting Plate (L)	1	151810-001		14	Treadle	1	151803-001	
7	Connector Setting Plate	1	151811-001		15	Oil Cap	5	104451-001	
8	Screw 4 x 5	2	002400-502		16	Foot Connector	1	157759-000	

a. Programmer device / Sonderzubehör
 Pieces en option / Piezas opción



Ref. No.	Name of Parts	Q'ty	Parts No.	Assembly No.
1	Programmer	1	157754-000	
2	Memory Disk Assembly	3	157281-000	

b. Optional parts / Sonderzubehör
Piezas en option / Piezas opción

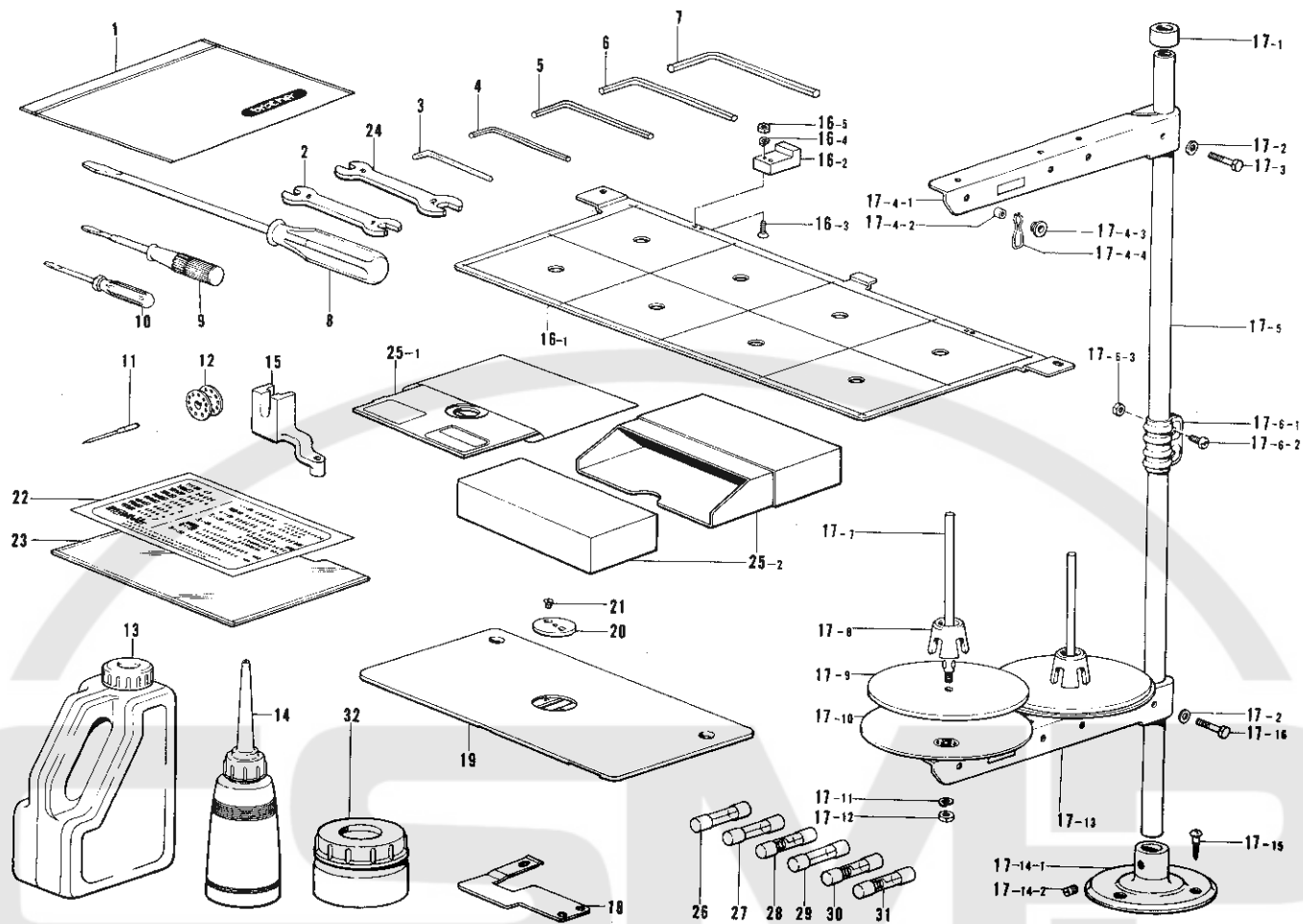


Ref. No.	Name of Parts	Q'ty	Parts No.	Assembly No.	Ref. No.	Name of Parts	Q'ty	Parts No.	Assembly No.
1-1	Cassette Presser	1	157761-001	b-1 Cassette Presser Assembly 157635-001	11	Spring Plate (15)	1	158589-001	
1-2	Cassette	2	157762-001		12	Spring Plate (20)	1	158590-001	
1-3	Screw 3 x 6	4	003300-604		13	Screw 4 x 8	1	007400-813	
1-4	Washer 2-3	4	028030-243		14	Washer 4	1	025040-233	
1-5	Washer 3	4	025030-233		15	Washer 2-4	1	028040-243	
1-6	Nut 3	4	021300-103		16	Presser Upper (Left)	1	157770-001	
2	Cassette Presser Lower (1)	1	157764-000	17	Presser Upper (Right)	1	157769-001		
3	Cassette Presser Upper (2)	1	157763-000	18	Presser Foot (B)	1	152636-001		
4	Cassette Presser Upper (3)	1	157727-000	19	Presser Foot (C)	1	152637-001		
5	Hinge Assembly (R)	1	152632-001	20	Presser Foot (D)	1	154069-001		
6	Hinge Assembly (L)	1	152633-001	21	Presser Foot (E)	1	154089-001		
7-1	Presser Foot	1	157766-001	22	Presser Foot (G)	1	158592-001		
7-2	Presser Rear	1	157765-001	23	Movable Knife (L)	1	155092-001		
7-3	Presser Right	1	157767-001	24	Needle Hole Plate A (φ1.6)	1	156149-001		
7-4	Presser Left	1	157768-001	25	Needle Hole Plate B (φ2.2 Groove)	1	156150-001		
7-5	Screw 4 x 6	12	007400-613	26	Needle Hole Plate C	1	156151-001		
7-6	Washer 4	12	025040-233	27	Needle Hole Plate D	1	156152-001		
8	Cassette Presser Upper (1)	1	158586-000	28	Needle Hole Plate E (φ2.6)	1	156153-001		
9	Spring Plate (5)	1	158587-001	29	Needle Hole Plate F (φ2.2)	1	156154-001		
10	Spring Plate (10)	1	158588-001	30	Needle Hole Plate G (φ2.5)	1	156155-001		

**DIFFERENT PARTS LIST / ZUBEHÖRLISTE
LISTE DES PIÈCES ACCESSOIRES / LISTA DE PIEZAS ACCESORIAS**

Ref. No.	Sub-Class	Name of Parts											
		30101 Thin	30103 Thin	30104 Thin	30002 Medium	30003 Medium	30004 Medium	40102 Thin	40103 Thin	40104 Thin	40002 Medium	40003 Medium	40004 Medium
		220V	380V	415V	220V	380V	415V	220V	380V	415V	220V	380V	415V
A-21	Spring	145520-001										148924-101	148924-101
A-44	Pre-Tension Assembly	183124-001										183125-001	183125-001
A-44-3	Spring	154560-001										154562-001	154562-001
B- 9	Needle	107415-014										107415-014	145646-021
B-37	Counter Weight Assembly	159467-001										159467-001	159468-001
B-37-1	Counter Weight	148296-000										148926-000	109205-000
B-37-2	Screw 6.35	100251-001		Q'ty 1		100251-001		Q'ty 2		100251-001		Q'ty 2	
B37-3	Screw 4.76 x 12	009711-212										009711-212	
B-59	Rotary Hook B1	S00982-000										S00982-000	159793-001
F- 1	Bottom Plunger	157756-001										157795-001	157795-001
a- 1	Programmer	157754-000										157754-000	
a- 2	Memory Disk Assembly	157281-000										157281-000	
Z-11	Needle	107415-014										107415-014	145646-021

Z. Accessories / Zubehör
Accessoires / Accesorios



Ref. No.	Name of Parts	Q'ty	Parts No.	Assembly No.	Ref. No.	Name of Parts	Q'ty	Parts No.	Assembly No.
1	Vinyl Bag	1	122991-001		17- 7	Spool Shaft (B)	2	15079-001	
2	Spanner 8 x 9	1	100887-001		17- 8	Spool Cushion	2	126863-000	
3	Spanner 3	1	142721-001		17- 9	Spool Mat	2	150182-000	Z-17 Cotton Stand Assembly 150150-003
4	Spanner 4	1	118064-001		17-10	Spool Stand Base	2	150180-000	
5	Spanner 5	1	147487-001		17-11	Washer 2-5	2	028050-243	
6	Spanner 6	1	115157-001		17-12	Nut 5	2	021500-103	
7	Spanner 8	1	150336-001		17-13	Spool Holder 2	1	150178-001	
8	Screw Driver 5.5 x 190	1	101572-101		17-14-1	Cotton Stand Base	1	150189-001	Z-17-14 Cotton Stand Base Assembly 150139-001
9	Screw Driver 3.4 x 70	1	118837-001		17-14-2	Screw 6 x 7	2	150181-101	
10	Screw Driver 1.9 x 52	1	142443-001		17-15	Screw 4.5 x 22	3	031452-203	
11	Needle	4			17-16	Bolt 5 x 28	1	017502-803	
12	Bobbin	3	117061-001		18	Thread Catcher Spring (A)	1	157790-000	
13	Oil Tank	1	154702-001		19	Needle Plate (SA) Assembly	1	157534-001	
14	Oiler	1	114483-002		20	Needle Hole Plate (F)	1	156154-001	
15	Presser Foot (A)	1	152283-101		21	Screw 2.38	2	100360-003	
16- 1	Standard Plate	1	157702-001	Z-16 Standard Plate Assembly 158669-001	22	Label	1	158577-001	
16- 2	Standard Plate (Front)	2	158670-001		23	Vinyl Bag	1	158578-001	
16- 3	Screw 3 x 14	4	006301-404		24	Spanner 10 x 12	1	107780-001	
16- 4	Washer 2-3	4	028030-243		25- 1	Memory Disk	3	157281-000	Z-25 Memory Disk Case Assembly 157747-000
16- 5	Nut 1-3	4	021300-103		25- 2	Memory Disk Case	3	157735-001	
17- 1	Cap	1	150174-000	Z-17 Cotton Stand Assembly 150150-003	26	Fuse A	1	152479-000	
17- 2	Washer 5	2	025050-233		27	Fuse B	1	152565-000	
17- 3	Bolt 5 x 28	1	017502-803		28	Fuse C	1	155080-000	
17- 4-1	Spool Holder 2	1	150178-001	Z-17-4 Thread Hanger Assembly 150192-003	29	Fuse D	1	152567-000	
17- 4-2	Thread Bushing	2	142990-001		30	Fuse E	1	152568-000	
17- 4-3	Thread Hanger	2			31	Fuse F	1	152595-000	
17- 4-4	Thread Guide Spring	2	150184-001		32	Grease Tunk	1	S00966-001	
17- 5	Pipe	2	150172-001						
17- 6-1	Joint	1		Z-17-6 Joint for Cotton Stand 150106-001					
17- 6-2	Screw 5 x 14	2	150202-001						
17- 6-3	Nut 5	2	021500-103						

Parts.No.	Ref. No.	Remark	Parts No.	Ref. No.	Remark	Parts No.	Ref. No.	Remark	Parts No.	Ref. No.	Remark
025040-232	K- 11		028040-242	K- 75		028060-242	E- 39		100032-003	C- 96	
	K- 74			K-85			E- 42			C-111	
	K-153			K-107			E- 45		100080-003	F- 2	
	K-163			K-110			E-120			Z- 20	
	K-165			K-116			H- 2		100136-001	A- 20	
	L- 9			K-119			K-137			G- 12	
	c- 2- 6			K-134			K-139		100251-001	B- 37- 2	
025040-233	C- 92		K-147		K-143		B- 37- 2				
	D- 24		K-152		K-174		100251-003	B- 42- 3			
	J- 28		c- 1- 5		K-177			B- 44- 3			
	J- 31		c- 1-16		K-180		100260-001	B- 2			
	J- 43		c- 1-20		C- 60			B- 5			
	J- 67		c- 1-26-10		028080-242	C-106		100360-003	C-113		
	J- 84		c- 2- 5			C-109			Z- 21		
	K- 2		c- 2-16		E- 6		100398-001	A- 24			
	K- 23		028040-243	C- 86		E- 22			100401-001	G- 11	
	K- 33			C- 91		E-102		100402-004	A- 28		
	K- 48			D- 6		E-107		100573-001	B- 6		
	K- 51			D- 9		E-117		100887-001	Z- 2		
	K- 78			D- 17		F- 18		101572-101	Z- 8		
	K- 83			D- 27		F- 36		101706-001	B- 22		
	K-132			J- 4		J- 52		028100-242	B- 30		
	L- 2			J- 27		K-122			K-125	102630-001	B- 11
	b- 7- 6			J- 32		K-125		K-128	103950-002	A- 29	
	b- 14			J- 42		K-128		K-169	104451-001	L- 15	
	025050-132	E- 93			J- 66		028680-242	C- 23		104464-001	B- 40
		025050-232		E- 96		K- 3			C- 29		107153-002
K- 90				K- 22		028770-242	A- 52		107407-003	B- 63	
025050-233	C- 84		K- 25		031311-302		K-158		107415-014	B- 9	
	Z- 17- 2		K- 28			K-160		Z- 11			
025050-332	C- 64		K- 32		031452-203	Z- 17-15		107780-001	Z- 24		
025060-132	E- 43		K- 47			033311-302	K-156		108960-002	A- 34	
025060-232	E- 17		K- 50		047301-047		G- 1- 8		109205-000	B- 37- 1	
025350-332	B- 20		K- 71		048040-342	C- 7		109893-002	C- 2		
025630-132	F- 44		K- 79			D- 39		110367-001	B- 15		
028020-243	J- 59		K- 82		D- 55		111463-001	B- 1			
028030-243	c- 3- 4		K- 95		E- 61		111466-001	C- 37			
	G- 1-20		K-103		E- 79		111476-001	A- 33			
	J- 18		b- 15		F- 12		111942-001	G- 1-11			
	J- 36		c- 1-10		F- 22		111943-001	G- 1-12			
	J- 45		c- 1-25		F- 29		112586-001	B- 43			
	J- 79		028050-242	A- 19		048050-342	C- 27		113431-002	A- 59	
	K- 55			C- 41-12			F- 5		114483-002	Z- 14	
	K- 58			C- 51		048070-342	B- 51		115157-001	Z- 6	
	K- 94			C- 66			C- 56		116112-001	A- 35	
	K-114			C- 71		C- 78		116662-003	K- 17		
	b- 1- 4			C- 76		E- 66		116735-000	B- 13- 5		
	c- 1-26- 4			C-104		E-125		117061-001	B- 60		
	Z- 16- 4			E- 8		048090-342	B- 23		Z- 12		
028040-242	A- 69			E- 10			048170-142	B- 34		118064-001	Z- 4
	C- 41- 5			E- 12		048350-242	E- 27		118764-002	G- 1-23	
	C- 41- 8		E- 55		048370-242	E- 35		118837-001	Z- 9		
	C- 41-15		E- 57- 5			B- 45		122991-001	Z- 1		
	C- 47		E- 69		048400-242	B- 32		123830-001	K- 91		
	D- 3		E- 72		072060-860	B- 52		126863-000	Z- 17- 8		
	D- 13		E- 76			E- 65		140004-001	B- 13- 2		
	D- 33		E- 86		E-124		140553-102	B- 8			
	D- 44		E- 92		072062-560	D- 38		140620-001	C- 3		
	D- 49		E- 96			E- 62		F- 15			
	D- 51		E-110		E- 78		F- 19				
	D- 60		H- 7		072062-561	D- 54		F- 27			
	E- 89		K- 67			072600-140	B- 46		140627-001	F- 10- 4	
	E-113		K- 89		072620-260		E- 26		F- 20- 4		
	E-130		028050-243	A- 72			E- 34		F- 62		
	G- 6			C- 83		072620-340	B- 33		141207-001	C- 30	
	H- 15		H- 12		072620-440		B- 41		141208-001	C- 31	
J- 62		Z- 17-11		072630-140	B- 48		142274-001	A- 17			
K- 6		028060-242	E- 16		081001-670	C- 17		142443-001	Z- 10		
K- 10			E- 31		081024-070	A- 61		142721-001	Z- 3		
K- 18											

INDEX / VERZEICHNIS
INDEX / INDICE

Parts No.	Ref. No.	Remark	Parts No.	Ref. No.	Remark	Parts No.	Ref. No.	Remark	Parts No.	Ref. No.	Remark
S00940-001	C- 41- 1		007300-613	K- 56		009710-812	F- 41		018400-822	c- 1- 4	
S00941-001	C- 41- 3			K- 59		009711-012	C- 4		018401-022	C- 72	
S00942-001	C- 41- 6			K- 93		009711-212	B- 37- 3			D- 34	
S00943-001	C- 41-10		007300-803	K-113		009711-412	F- 9			D- 41	
S00944-001	C- 41-13		007400-613	C- 90			F- 32			D- 45	
S00945-001	C- 6			D- 5			F- 61			E- 81	
S00946-001	C- 14			D- 8		013710-512	C- 10			E-122	
S00947-001	E- 20			K- 4			C- 13		018401-222	D- 14	
S00948-001	E- 14			K- 21			C- 15			D- 50	
S00949-001	E- 23			K- 31			C- 19			D- 52	
S00950-000	E- 18			K- 46		013781-012	B- 13- 9			D- 56	
S00951-001	E-105			K- 70		014300-322	G- 1-18		018401-622	C- 41- 2	
S00952-001	E-103			K- 81		014400-522	J- 7			c- 1-15	
S00953-001	A- 66			K- 96		014680-422	G- 1- 7			c- 1-26- 9	
S00954-001	A- 67			K-102		014680-622	B- 57		018402-522	E- 90	
S00955-001	A- 70			b- 7- 5			F- 7			E-100	
S00956-000	K-164			c- 1- 9			F- 54			K-162	
S00957-000	C-114			c- 1-24		014770-622	A- 49			K-165	
S00958-000	C-115		007400-812	A- 68			B- 50			c- 2-15	
S00959-000	C-116			C- 41-14			B- 54		018500-822	E- 19	
S00960-001	c- 1			E-112			F- 47			E-104	
S00962-001	c- 2			E-129			F- 56		018501-022	C- 41-11	
S00963-001	c- 3			K- 12		017502-803	Z- 17- 3			C- 50	
S00964-000	H- 34			K- 19			Z- 17-16			C- 70	
S00965-001	C- 41			K-146		017822-212	F- 17			C-103	
S00966-000	Z- 32			K-151			F- 35			E- 13	
S00972-001	J- 74			K-171		018060-822	H- 3			E- 56	
S00973-000	H- 21		007400-813	C- 85		018061-022	C- 49			E- 91	
S00974-001	H- 31			J- 96			E- 29			H- 8	
S00975-001	H- 32			K- 29			K-136		018501-222	A- 47	
S00976-001	H- 33			b- 13			K-140			C- 67	
S00978-000	J- 99		007401-012	D- 59		018061-422	E- 58			C- 77	
S00981-001	B- 61- 1			G- 4			E- 59			E- 7	
S00982-000	B- 59			J- 23			E-119			E- 70	
001021-016	J- 60			K- 86		018061-622	E- 15			E- 71	
	C- 3- 2			K-111			E- 30		018501-622	E- 57- 4	
001639-312	F- 43		007401-013	D- 25			K-142			E- 75	
001660-512	G- 1-13			D- 26		018062-022	E- 41			E- 97	
001671-012	C- 39		007401-413	D- 16			E- 46		018502-222	E- 9	
002300-603	J- 10			K- 49			K-179			E- 85	
002300-803	J- 17			K- 80		018062-522	E- 38		018503-022	A- 18	
	J- 20		007402-013	J- 5			E- 48			E-109	
	J- 44		007402-513	K- 26			K-173		021060-102	E- 47	
	J- 48		007402-522	C- 41- 7			K-176		021080-302	C- 54	
002301-203	J- 35		007403-512	c- 1-18		018081-622	C- 61		021160-303	K- 36	
002301-605	J- 80		007500-602	K- 68			E-101		021300-103	b- 1- 6	
002400-502	K-133		007500-812	K- 88			J- 53			c- 1-26- 6	
	L- 8		007501-003	C- 82		018082-022	C-105			Z- 16- 5	
002400-803	L- 3		007502-803	H- 13			C-108		021400-202	G- 7	
002401-002	H- 16		009670-512	A- 32			E- 5			c- 1-19	
002401-003	J- 26			A- 65			E- 21		021500-103	A- 71	
	J- 33			B- 12			E-106			Z- 17- 6- 3	
	J- 41			B- 19			J- 51			Z- 17-12	
	J- 65		009670-812	G- 2		018082-522	E-116		025020-235	J- 58	
	J- 83		009671-013	A- 38		018102-022	K-123			c- 3- 3	
	K-131		009671-813	A- 39			K-126		025030-233	G- 1- 3	
002402-512	J- 61		009680-812	A- 3			K-129			G- 1-22	
	c- 2- 4			A- 7			K-168			J- 37	
003300-604	b- 1- 3			A- 41		018103-022	E- 49			J- 46	
	c- 1-26- 3			B- 36		018400-822	C- 41- 4			J- 78	
003300-812	K-155			G- 9			C- 46			K- 54	
003400-804	K- 15			H- 19			D- 2			K- 54	
004400-702	J- 75		009681-012	C- 24			E- 67			b- 1- 5	
	c- 1-26-11			C- 28			E-126			c- 1-26- 5	
006301-404	Z- 16- 3		009681-212	C- 35			K- 7		025040-232	C- 41- 9	
007260-313	J- 15			C- 40- 2			K- 9			D- 48	
007300-413	K- 62		009681-612	F- 58			K- 76			E- 88	
	K- 65		009710-812	F- 14			K-106			G- 5	
007300-613	G- 1- 2			F- 24			K-117			J- 63	
	G- 1-19			F- 26			K-120			K- 5	

Parts No.	Ref. No.	Remark	Parts No.	Ref. No.	Remark	Parts No.	Ref. No.	Remark	Parts No.	Ref. No.	Remark
157627-001	D- 4		157699-101	K-154		157826-001	B- 24		158662-001	c- 1-23	
157628-001	D- 1		157702-001	Z- 16- 1		157828-001	B- 25		158663-001	c- 1-26- 7	
157629-001	H- 1		157706-001	C- 32		157829-001	B- 17		158664-001	c- 1-26- 8	
157630-000	H- 4		157707-001	K- 98		157831-001	C- 11		158665-000	c- 2-12	
	H- 10		157708-100	K- 99		157832-000	C- 12		158666-000	c- 3- 1	
157631-101	H- 11		157709-001	K-100		157833-001	C- 9		158667-001	c- 1-26	
157632-101	H- 11- 1		157710-000	K-101		157834-001	C- 8		158668-001	c- 1-26- 1	
157633-001	H- 11- 3		157711-000	C- 89		157836-001	C- 5		158669-001	Z- 16	
157634-000	H- 20		157712-000	C- 87		157837-001	C- 1		158670-001	Z- 16- 2	
157635-001	b- 1		157727-000	b- 4		157838-000	A- 54		158671-001	c- 2-14	
157636-001	H- 6		157728-001	E- 64			A- 57		159467-001	B- 37	
157637-001	H- 24		157734-000	J- 64		157839-001	A- 56		159468-001	B- 37	
157637-002	H- 25		157735-001	Z- 25- 2		157840-000	A- 55		159793-001	B- 59	
157637-003	H- 26		157736-001	J- 8		157842-001	A- 64		159805-001	A- 22	
157637-004	H- 27		157737-001	J- 9		157843-001	A- 63		181936-001	B- 61- 5	
157637-005	H- 23		157738-000	J- 11		157844-000	A- 58		181937-001	B- 61- 3	
157637-006	H- 29		157739-000	J- 68		157845-000	A- 62		181938-001	B- 61- 4	
157637-007	H- 22		157740-000	J- 50		157847-001	B- 44		183124-001	A- 44	
157637-008	H- 28		157741-001	L- 1		157848-101	B- 44- 1		183125-001	A- 44	
157637-009	c- 2- 8		157743-000	L- 4		157849-100	B- 47		183148-001	C- 40	
157637-010	c- 2- 9		157747-000	Z- 25		157850-001	B- 49		216382-001	H- 11- 8	
157637-011	c- 2-10		157750-000	J- 82		157851-001	B- 55		340400-001	c- 2-18	
157637-012	c- 2-11		157754-000	a- 1		157852-001	B- 56		525664-000	D- 19	
157638-001	H- 14		157756-000	J- 39		157854-001	B- 53			G- 1-21	
157639-001	K- 13		157759-000	L- 16		157855-001	A-37			J- 86	
157642-101	K-105		157760-001	B- 16		157857-000	A- 50		525907-000	J- 87	
157644-001	K-109		157761-001	b- 1- 1		157879-000	J- 57			c- 2-17	
157645-001	K-118		157762-001	b- 1- 2		157881-000	J- 70		552908-000	J- 89	
157646-001	K-121			c- 1-26- 2		157885-000	J- 69		554482-000	J- 88	
157647-001	K-124		157763-000	c- 3		157890-000	J- 54				
157648-001	K-127		157764-000	c- 2		157893-000	J- 55				
157649-001	K-167		157765-001	c- 7- 2		157895-000	J- 56				
157650-000	K-130		157766-001	c- 7- 1		157897-000	H- 11- 6				
157651-001	K-145		157767-001	c- 7- 3		157901-000	J- 47				
157652-001	K-175		157768-001	c- 7- 4		157903-000	J- 76				
157653-001	K-172		157769-001	c- 17		157912-000	K- 97				
157654-001	K-170		157770-001	c- 16		157915-000	J- 29				
157655-001	K-141		157777-001	F- 45		158576-001	Z- 24				
157656-001	K-115		157778-001	F- 31		158577-001	Z- 22				
157657-001	K-112		157781-001	F- 37		158578-000	Z- 23				
157658-001	K-148		157782-001	F- 48		158585-001	b- 7				
157659-001	K-149		157784-001	F- 53		158586-000	b- 8				
157660-001	K-150		157785-001	F- 57		158587-001	b- 9				
157661-001	K-144		157786-001	F- 55		158588-001	b- 10				
157662-001	K-135		157787-001	F- 59		158589-001	b- 11				
157663-001	K-178		157788-001	F- 60		158590-001	b- 12				
157664-001	K-138		157789-001	F- 52		158591-001	E- 57- 3				
157665-001	K- 30		157790-001	Z- 18		158592-001	b- 22				
157666-001	K- 27		157791-000	F- 50		158593-000	D- 58				
157667-001	K- 16		157792-001	F- 6		158596-001	G- 1- 1				
157674-000	K- 14		157793-001	F- 3		158597-001	G- 1-15				
157675-001	K- 87		157795-001	F- 1		158598-001	G- 8				
157676-000	K- 84		157796-001	F- 1		158599-001	G- 1				
157678-001	K- 60		157797-001	F- 8		158647-001	c- 1- 1				
157679-001	K- 66		157798-001	F- 16		158648-001	c- 1- 2				
157680-000	K- 61		157799-001	F- 20		158649-001	c- 1- 3				
157681-001	K- 45		157801-001	F- 23		158650-001	c- 1- 6				
157682-001	K- 77		157802-001	F- 25		158651-001	c- 1- 7				
157683-101	K- 69		157804-001	F- 13		158652-001	c- 1- 8				
157684-001	K- 52		157805-001	F- 10		158653-000	c- 1-11				
157685-001	K- 73		157808-001	H- 18		158654-000	c- 1-12				
157686-001	K- 63		157816-001	A- 2		158655-001	c- 1-13				
157688-000	K- 64		157817-000	B- 31		158656-001	c- 1-14				
157690-001	K- 8		157818-001	B- 35		158657-000	c- 1-17				
157691-001	K- 92		157819-001	B- 42		158658-000	c- 1-21				
157692-001	K- 34		157821-001	B- 21		158659-001	c- 2-13				
157693-001	K- 1		157822-001	B- 28		158660-000	C- 41-16				
157694-001	K-161		157823-001	B- 29			H- 35				
157695-001	K-157		157824-000	B- 26			c- 1-22				
157698-001	K-159		157825-001	B- 18		158661-000	c- 2- 3				

Parts No.	Ref. No.	Remark	Parts No.	Ref. No.	Remark	Parts No.	Ref. No.	Remark	Parts No.	Ref. No.	Remark
142990-001	Z- 17- 4- 2		150178-001	Z- 17-13		154021-001	J- 22		157554-001	C- 52	
143548-000	H- 11- 7		150179-001	Z- 17- 7		154024-001	G- 1- 4		157555-001	C- 48	
	J-100		150180-000	Z- 17-10		154069-001	b- 20		157556-001	C- 81	
144504-001	A- 44- 2		150181-101	Z- 17-14- 2		154089-001	b- 21		157557-001	C- 80	
144505-000	G- 1-26		150182-000	Z- 17- 9		154092-001	G- 1- 6		157558-001	C- 88	
144943-001	B- 58		150183-000	Z- 17- 4- 3		154135-001	J- 91		157561-001	E- 25	
145250-001	A- 27		150184-001	Z- 17- 4- 4		154136-001	J- 92		157562-001	E- 24	
145446-001	A- 23		150189-001	Z- 17-14- 1		154138-000	J- 93		157564-001	E- 50	
	G- 10		150192-003	Z- 17- 4		154146-001	C- 22		157565-001	E- 37	
145465-001	B- 13- 4		150202-001	Z- 17- 6- 2		154147-001	C- 20		157566-001	E- 44	
145472-001	C- 36		150336-001	Z- 7		154149-001	C- 21		157567-001	E- 40	
145482-001	C- 18		150433-001	B- 3		154150-001	C- 34		157568-001	E- 28	
145483-001	C- 16		151594-001	B- 7		154559-001	A- 44- 1		157569-001	E- 33	
145519-001	A- 25		151602-002	A- 43		154560-001	A- 44- 3		157570-001	E- 32	
145520-001	A- 21			B- 58- 2		154562-001	A- 44- 3		157571-001	E- 36	
145526-001	A- 30		151604-001	B- 27		154563-001	A- 42		157572-000	E- 51	
145571-101	G- 3		151620-000	c- 2- 2		154702-001	Z- 13		157573-001	E- 54	
145646-021	B- 9		151725-000	H- 11- 4		155051-001	C- 25		157574-001	E- 52	
	Z- 11		151803-001	L- 14		155052-001	C- 26		157575-001	E- 53	
145688-000	B- 10		151804-001	L- 13		155078-001	K- 20		157576-001	E- 1	
146065-000	A- 26		151809-001	L- 5		155080-000	Z- 28		157577-001	E- 2	
146153-001	F- 11		151810-001	L- 6		155081-000	K-181		157578-001	E- 3	
	F- 21		151811-001	L- 7		155082-000	K-182		157579-001	E- 4	
	F- 30		151844-001	B- 61- 2		155083-000	K-183		157580-001	E- 11	
146198-001	G- 1-24		151845-001	B- 61		155084-000	K-184		157581-001	E-114	
146199-001	G- 1-25			C- 38		155085-000	K-185		157582-001	E-115	
146200-001	G- 1-27		152283-101	Z- 15		155086-000	K-186		157584-101	E- 57	
147323-001	B- 13		152358-001	G- 1-17		155087-001	F- 34		157585-101	E- 57- 1	
147326-001	B- 4		152361-001	G- 1-10		155088-001	F- 40		157586-101	E- 57- 2	
147337-001	B- 62		152362-001	G- 1-14		155092-001	b- 23		157587-001	E-121	
147338-002	A- 40		152363-001	G- 1- 9		155093-001	F- 28		157588-001	E- 99	
147339-001	A- 31		152389-001	A- 46		155510-001	A- 44- 4		157589-001	E-127	
147487-001	Z- 5		152393-000	K- 35		156149-001	b- 24		157590-001	E-128	
147557-001	A- 45		152423-000	K- 53		156150-001	b- 25		157591-001	E-123	
148296-000	B- 37- 1		152424-001	K- 57		156151-001	b- 26		157592-001	E-118	
148351-001	A- 51		152452-001	J- 38		156152-001	b- 27		157593-001	E-108	
148536-001	F- 39			J- 40		156153-001	b- 28		157594-001	E-111	
	F- 51		152453-001	J- 30		156154-001	b- 29		157595-001	E- 82	
148537-001	F- 38		152454-100	J- 34			Z- 20		157596-001	E- 83	
148539-001	F- 49		152461-001	J- 25		156155-001	b- 30		157597-000	E- 84	
148573-001	F- 33		152479-000	Z- 26		157024-001	J- 71		157598-001	E- 94	
148574-001	F- 46		152480-000	J- 16		157266-001	A- 53		157599-001	E- 98	
148593-000	F- 42		152487-201	J- 1		157281-000	a- 2		157600-001	E- 87	
148633-001	A- 60		152488-001	J- 6			Z- 25- 1		157601-000	E- 73	
148924-101	A- 21		152491-000	J- 14		157513-000	J- 12		157602-000	E- 74	
149287-000	D- 23		152493-000	J- 13		157526-001	C-107		157603-001	D- 40	
149435-000	F- 10- 2		152496-001	J- 19		157527-001	C-102			E- 80	
	F- 20- 2		152497-001	J- 2		157528-001	C- 99		157604-001	E- 77	
	F- 28- 2		152498-001	J- 3		157529-001	C- 97		157605-000	E- 68	
	H- 11- 5		152504-000	J- 90		157530-001	C- 98		157606-001	E- 60	
	H- 30		152505-001	G- 1-16		157531-001	C-101		157607-001	E- 63	
	c- 2- 1		152510-000	J- 97		157532-001	C-100		157608-001	D- 29	
149482-001	L- 10		152513-101	J- 21		157533-000	C- 95		157609-001	D- 35	
149503-001	C- 5- 2		152516-100	J- 24		157534-001	Z- 19		157610-001	D- 36	
	C- 58		152544-000	J- 77		157536-001	C-110		157611-001	D- 42	
	F- 10- 3		152565-000	Z- 27		157538-001	C-112		157612-000	D- 46	
	F- 20- 3		152567-000	Z- 29		157541-001	C- 45		157613-001	D- 43	
	F- 28- 3		152568-000	Z- 30		157542-001	C- 69		157614-001	D- 32	
	H- 11- 9		152575-000	K- 24		157543-001	C- 59		157615-001	D- 47	
	c- 2- 7		152593-000	A- 48		157544-001	C- 68		157616-001	D- 37	
			152595-000	Z- 31		157545-100	C- 62		157617-001	D- 57	
149510-000	H- 9				157546-001	C- 57		157618-001	D- 53		
149547-000	J- 85		152632-001	b- 5		157547-001	C- 73		157619-001	D- 10	
149796-001	H- 5		152633-001	b- 6		157548-001	C- 74		157620-001	D- 11	
150106-001	Z- 17- 6		152636-001	b- 18		157549-001	C- 65		157621-001	D- 12	
150139-001	Z- 17-14		152637-001	b- 19			C- 75		157622-000	D- 22	
150150-003	Z- 17		152645-001	G- 1- 5			C- 63		157623-000	D- 18	
150172-001	Z- 17- 5		152661-000	J- 98		157550-001	C- 63		157624-000	D- 15	
150173-001	Z- 17- 6- 1		153113-001	F- 4		157552-001	C- 55		157625-001	D- 28	
150174-000	Z- 17- 1		153274-001	H- 11- 2			C- 79				
150178-001	Z- 17- 4- 1		153483-001	A- 36		157553-001	C- 53		157626-001	D- 7	

